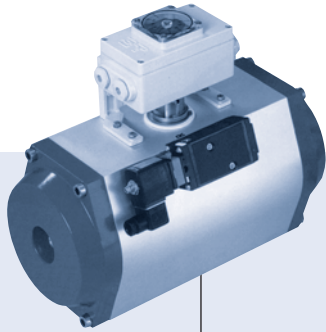
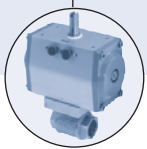


Accessory for pneumatic rotary actuator



Type TEU can be combined with...



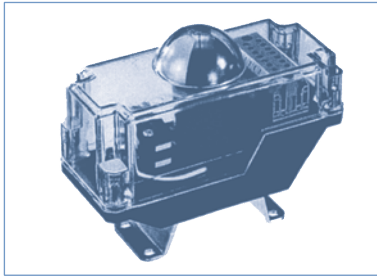
Type 8805

Pneumatic rotary drive

TEU comprises of a position indicator and final position feedback, that combines with the pneumatic rotary drive Type 8805.

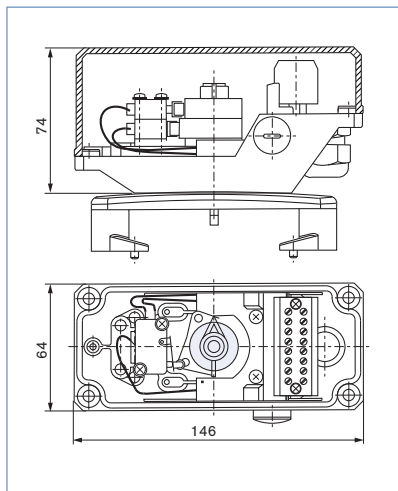
- TEU 001 Electromechanical final position feedback with optical indicator
- TEU 003 non-contact repeater with optical position indicator
- TEU 002 electromechanical repeater, explosion proof
- TEU 004 non-contact repeater, EExi, explosion proof, with optical position indicator

Type TEU 001 - electromechanical final position feedback with optical position indicator

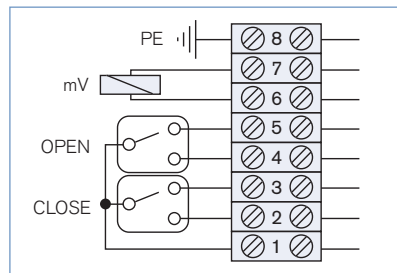


| Technical data | |
|------------------------------|---|
| Material | |
| Base | Vestamid |
| Cover | Makrolon |
| Limit switches | Changer (micro switch) |
| Operating voltage | 0.1 ... 250 V AC |
| Current rating | 6 A |
| Electrical connection | Above connecting terminal plate M12 x 1.5 |
| Console | Stainless steel, acc. to NAMUR |
| Operating temperature | -20 ... +100 °C |

Dimensions [mm]



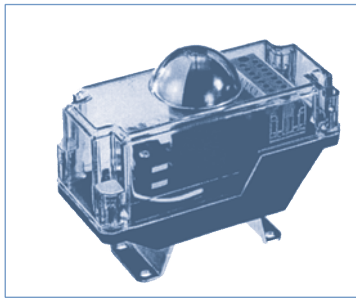
Terminal connection diagram of micro switch



Ordering chart

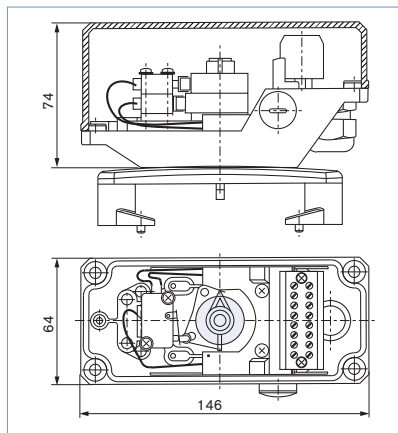
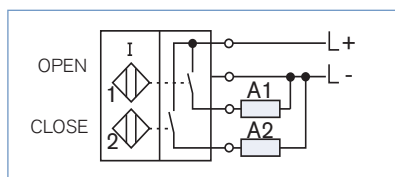
| Hole gauge [mm] | Wave height [mm] | Item no. |
|-----------------|------------------|----------|
| 80 x 30 | 20 | 788 872 |
| 80 x 30 | 30 | 788 911 |
| 130 x 30 | 30 | 788 912 |
| 130 x 30 | 50 | 788 913 |

Type TEU 003 - non-contact repeater with optical position indicator



| Technical data | |
|------------------------------|---|
| Material | |
| Base | Vestamid |
| Cover | Makrolon |
| Limit switches | Double initiator Make: Pepperl+Fuchs NBN3-F25-E8 |
| Operating voltage | 10 - 30 V DC |
| Electrical connection | above connecting terminal plate PG 13.5 mm |
| Display status | LED, yellow |
| Operating temperature | -25 ... +70 °C |

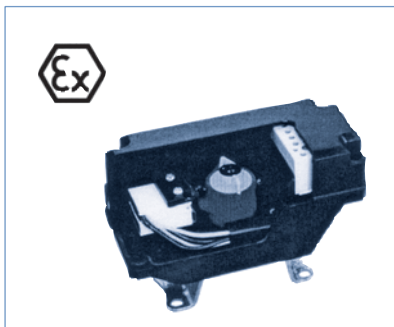
Dimensions [mm]

Terminal connection diagram
(3-wires, PNP)

Ordering chart

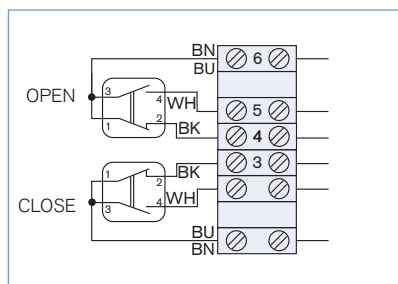
| Hole gauge [mm] | Wave height [mm] | item no. |
|-----------------|------------------|----------|
| 80 x 30 | 20 | 788 914 |
| 80 x 30 | 30 | 788 915 |
| 130 x 30 | 30 | 788 916 |
| 130 x 30 | 50 | 788 962 |

TEU 002 electromechanical repeater, explosion proof



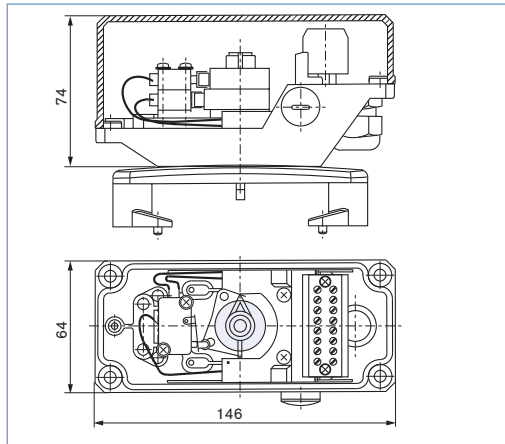
| Technical data | |
|------------------------------|--|
| Material | |
| Base | Vestamid |
| Cover | Vestamid |
| Limit switches | Micro switch Make: Crouzet, Type 83 139 1 |
| Operating voltage | 0.1 - 250 V AC |
| Current | 4 A |
| Electrical connection | above connecting terminal plate M20 x 1.5 |
| Operating temperature | -20 ... +60 °C |
| Type of protection | EEx ed IIC T6 |

Connecting terminal daigram



TEU 002 electromechanical repeater, explosion proof (continued)

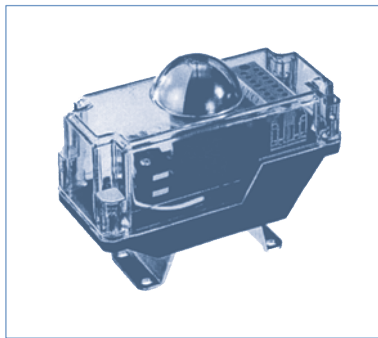
Dimensions [mm]



Ordering chart

| Hole gauge [mm] | Wave height [mm] | Item no. |
|-----------------|------------------|----------|
| 80 x 30 | 20 | 788 958 |
| 80 x 30 | 30 | 788 959 |
| 130 x 30 | 30 | 788 960 |
| 130 x 30 | 50 | 788 961 |

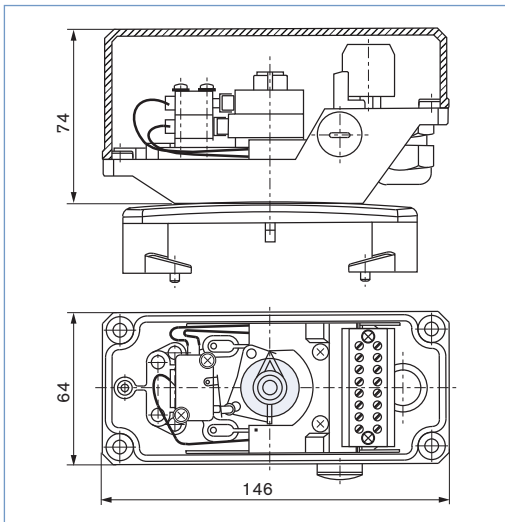
Type TEU 004 - non-contact repeater, EExi, explosion proff, with optical position indicator



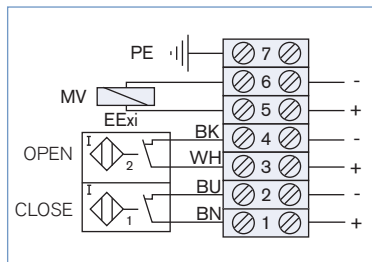
Technical data

| | |
|------------------------------|---|
| Material | |
| Base | Vestamid |
| Cover | Makrolon |
| Limit switches | 2-wire circuit breaker (DIN 10234) Double initiator, NAMUR Make: Pepperl+Fuchs NCN3-F25F-N4 |
| Operating voltage | 8 V DC |
| Electrical connection | above connecting terminal plate M20 x 1.5 |
| Operating temperature | -25 ... +85 °C |
| Type of protection | EExi |

Dimensions [mm]



Terminal connection diagram, 2-wires, NAMUR



Ordering chart

| Hole gauge [mm] | Wave height [mm] | Item no. |
|-----------------|------------------|----------|
| 80 x 30 | 20 | 788 873 |
| 80 x 30 | 30 | 788 955 |
| 130 x 30 | 30 | 788 956 |
| 130 x 30 | 50 | 788 957 |

To find your nearest Bürkert facility, click on the orange box

www.burkert.comIn case of special application conditions,
please consult for advice.Subject to alteration.
© Christian Bürkert GmbH & Co. KG

1203/1_EU-en_00895194