


## Zero dead volume T-valve, pneumatically operated, stainless steel block material



- Fully integrated in Burkert's Process Control Systems
- Zero dead volume
- Monoblock – no welds
- Quality certifications 

Actuator  
with  
360° rotation  
possibility

Type 2104 can be combined with...



**Type 8691**

Control Head



**Type 8690**

Pneum. control unit  
with feedback



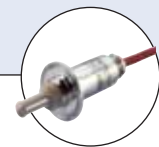
**Type 8692**

Positioner Top-  
Control continuous



**Stroke limitation**

Min./max. stroke  
limitation



**Type 8221**

Conductivity  
sensor

The Bürkert Zero dead volume T-Valve system is designed for control of ultra pure, sterile, aggressive or abrasive fluids. Enables especially optimal sampling, draining or diverting of critical process fluids. The valve body is machined from a single piece of block material (monoblock – no weld seam).

The high quality diaphragms separate hermetically critical fluids from the actuator. The pneumatic actuator can be controlled by pneumatic pilot valves (single pilot valves, valve islands and control heads). Control function A, normally closed by spring return.

| Technical data                        |   |                                |             |
|---------------------------------------|---|--------------------------------|-------------|
| <b>Orifice</b>                        | DN 8 to 50  |                                |             |
| <b>Body material</b>                  | <ul style="list-style-type: none"> <li>▪ Stainless steel 1.4435 / 316 L</li> <li>▪ Stainless steel 1.4435BN2 / ASME BPE</li> </ul> Fe < 0.5% / C ≤ 0.03%  |                                |             |
| <b>Seal materials</b>                 | EPDM, PTFE/EPDM, advanced PTFE/EPDM, FKM  |                                |             |
| <b>Actuator material</b>              | Actuator  | PPS                            |             |
|                                       | Cover   | Stainless steel 1.4561 (316Ti) |             |
| <b>Pilot air ports</b>                | Stainless steel 1.4305  |                                |             |
| <b>Surface finish</b>                 | Ra [µm]   | Ra [µInch]                     | Ra [Grit #] |
|                                       | internal  | internal                       | internal    |
| mechanical polished                   | 0.6   | 25                             | 180         |
| electro polished                      | 0.6   | 25                             | 180         |
| mirror finished                       | 0.25  | 10                             | 330         |
| <b>Media temperature</b>              | EPDM, PTFE/EPDM,<br>advanced PTFE/EPDM <sup>1)</sup><br>FKM   |                                |             |
|                                       | -10 to +130 °C (briefly up to +150 °C for steam sterilisation)<br>-10 to +130 °C  |                                |             |
| <b>Ambient temperature</b>            | +5 to +60 °C  |                                |             |
| <b>Control medium</b>                 | Neutral gases, air  |                                |             |
| <b>Max. pilot pressure</b>            | max. 10 bar; Actuator size 130 mm 7 bar   |                                |             |
| <b>Port connections</b>               | <ul style="list-style-type: none"> <li>▪ DIN EN ISO 1127 / ISO 4200 / DIN 11866 Series B</li> <li>▪ DIN 11850 Series 2 / DIN 11866 Series A</li> <li>▪ ASME BPE / DIN 11866 Series C</li> <li>▪ DIN 32676 Series A (DIN tube)</li> <li>▪ DIN 32676 Series B (ISO tube)</li> <li>▪ ASME BPE</li> </ul> |                                |             |
| Weld end                              |   |                                |             |
| Clamp                                 |   |                                |             |
| <b>Installation for self-draining</b> | Inclined 3 to 5° downwards  |                                |             |

<sup>1)</sup> Advanced PTFE/EPDM is recommended for sterilization cycle

### Content



#### Valve specifications

##### Type 2104

Technical data & ordering info. p. 1-9



#### System ELEMENT

##### Type 8801/8803

Ordering info. & technical data p.9-11

#### Request for quotation

##### Type 8801/8803-TB

p. 12

## Technical data valves

### Kv-values

| Port size |        | Kv value water<br>(m <sup>3</sup> /h) | Actuator<br>size Ø<br>[mm] | Permitted pilot pressure<br>[bar] |      | Max. operating pressure [bar]<br>for seal material |  |
|-----------|--------|---------------------------------------|----------------------------|-----------------------------------|------|--|--|
| [mm]      | [Zoll] |                                       |                            | min.                              | max. | EPDM, FKM<br>[bar]                                 | PTFE/EPDM,<br>advanced PTFE/<br>EPDM [bar] |
| 8         | 1/4"   | 1.0                                   | 50                         | 5                                 | 10   | 10   | 10   |
| 10        | 3/8"   | 1.0                                   | 50                         | 5                                 | 10   | 10   | 10   |
| 15        | 1/2"   | 5.5                                   | 70                         | 5                                 | 10   | 10   | 10   |
| 20        | 3/4"   | 10.0                                  | 70                         | 5                                 | 10   | 10   | 10   |
| 25        | 1"     | 14.0                                  | 70                         | 5                                 | 10   | 6.5  | 6  |
|           |        |                                       | 90                         | 5.5                               | 10   | 10   | 8  |
| 40        | 1 1/2" | 30.0                                  | 130                        | 5.0                               | 7    | 10   | 10   |
| 50        | 2"     | 51.5                                  | 130                        | 5.0                               | 7    | 8  | 7  |

#### Flow: Kv-value water (m<sup>3</sup>/h)

Measured at +20°C, 1 bar pressure at valve inlet and free outlet.

#### Statement of pressure (bar)

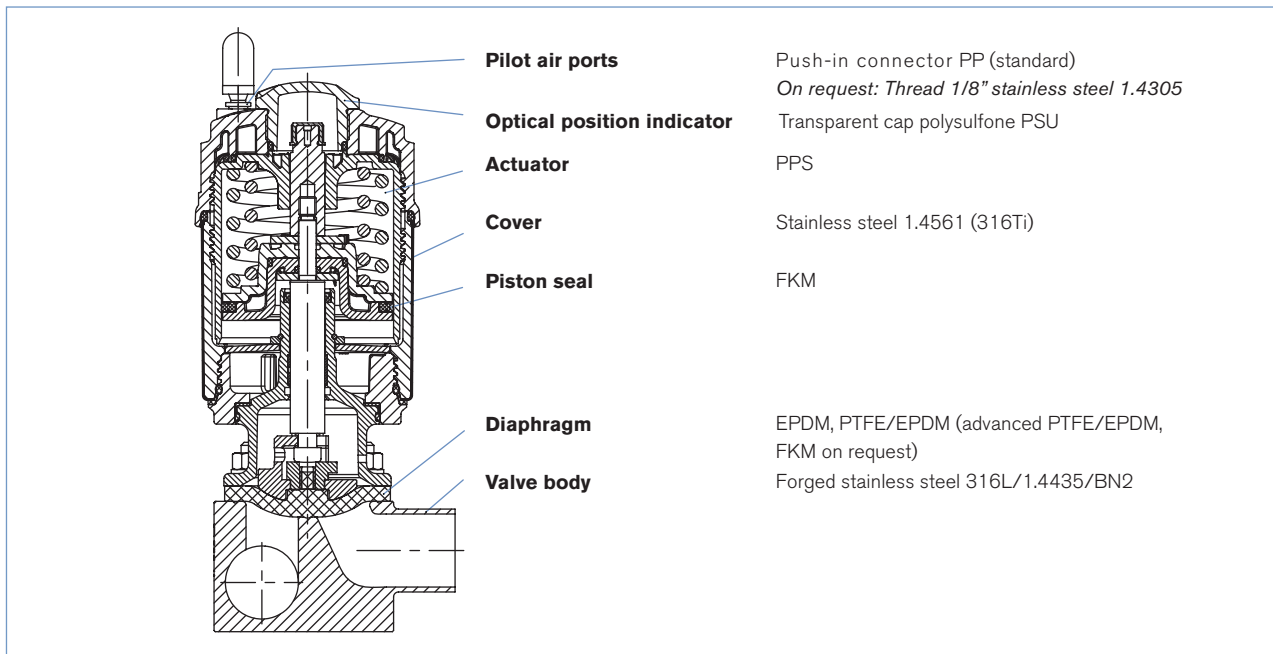
Gauge pressures with respect to the prevailing atmospheric pressure.

## Approvals/certifications

- Certification of Conformity for Raw Material EN-ISO 10204 3.1
- Attestation of compliance with the order EN-ISO 10204 2.1
- Test report EN-ISO 10204 2.2
- 3A certification on request
- Certification of Conformity for Pickling and Electropolishing Processes
- Certification of Conformity for the Surface Quality DIN4762-DIN4768-ISO/4287/1
- Certification for the fulfillment of FDA CFR No. 21.177.1550 for PTFE/EPDM and advanced PTFE/EPDM and 21.177.2600 for EPDM
- USP CLASS VI certification for EPDM and PTFE diaphragm
- Test Certification and Conformity Certification for the Final Assembly of Diaphragm Valves
- ISO 9001 Certification

Note: Retrospective manufacturing certification for process diaphragm valves can not be made, therefore please notify when ordering.

## Materials



## Example of available diaphragm materials

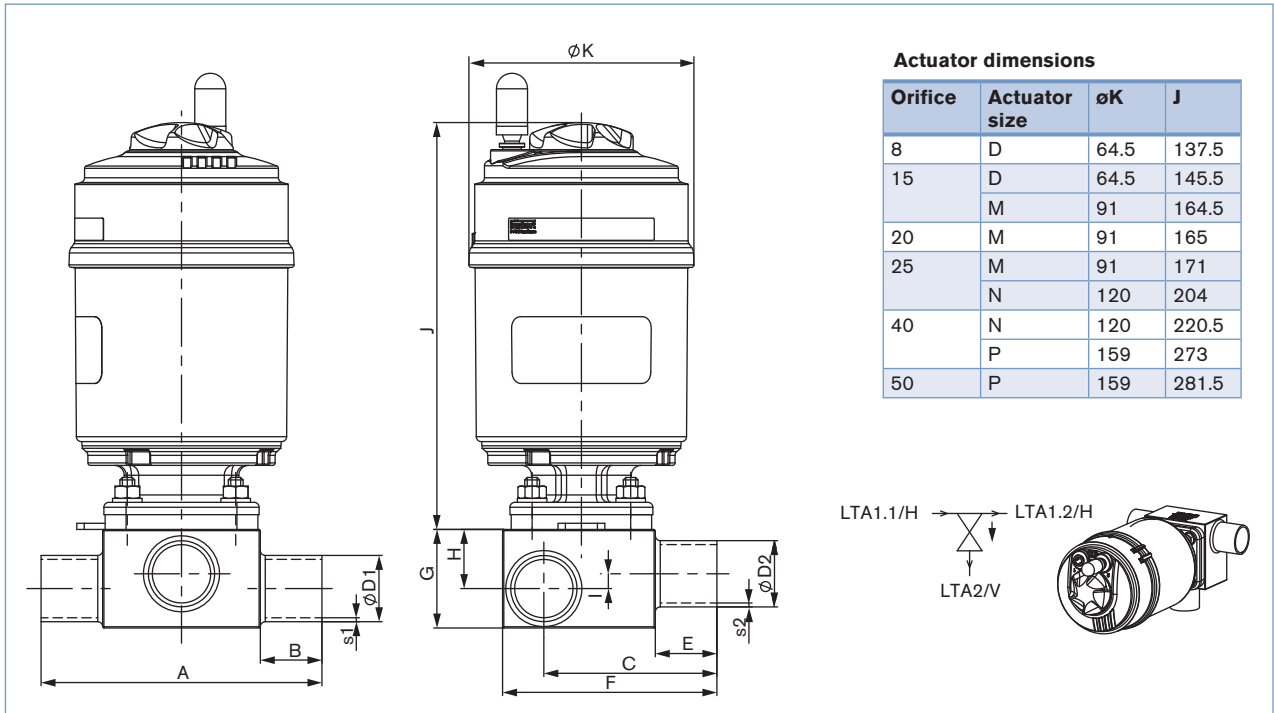
Developed to handle the unique challenges of hygienic and sterile applications, Bürkert offers diaphragms with precise material formula and physical tolerances. Bürkert diaphragms are available in a wide range of materials which have been proven in food & beverage, biotechnology, pharmaceutical and cosmetic industry applications. Bürkert diaphragms are available in a wide range of materials which have been proven in food & beverage, biotechnology, pharmaceutical and cosmetic industry applications. Diaphragms are tested during development and production to ensure reliability in critical processing environments.



- EPDM (Ethylene Propylene Rubber)
- PTFE/EPDM
- advanced PTFE/EPDM
- FKM
- PTFE/FKM

Dimensions [mm]

Body with weld end acc. to DIN EN ISO 1127 / ISO 4200 / DIN 11866 Series B



DTS 1000204566 EN Version: C validé printed: 21.08.2014 Status: RL (released | freigegeben |

| DN-Sitz | LTA1-LTA2 | ANTG | øD1 ±0.1 | s1 ±0.1 | øD2 ±0.1 | s2 ±0.1 | A ±0.3 | B  | C     | E  | F   | G    | H  | I    |
|---------|-----------|------|----------|---------|----------|---------|--------|----|-------|----|-----|------|----|------|
| 08.0    | 08 - 08   | D    | 13.5     | 1.6     | 13.5     | 1.6     | 78.0   | 20 | 47.15 | 20 | 60  | 24   | 15 | 5.0  |
|         | 10 - 08   |      | 17.2     | 1.6     | 13.5     | 1.6     | 78.0   | 20 | 49.00 | 20 | 60  | 29   | 18 | 8.0  |
|         | 10 - 10   |      | 17.2     | 1.6     | 17.2     | 1.6     | 78.0   | 20 | 49.00 | 20 | 60  | 29   | 18 | 8.0  |
|         | 15 - 08   |      | 21.3     | 1.6     | 13.5     | 1.6     | 78.0   | 20 | 51.05 | 20 | 64  | 34   | 21 | 11.0 |
|         | 15 - 10   |      | 21.3     | 1.6     | 17.2     | 1.6     | 78.0   | 20 | 51.05 | 20 | 64  | 34   | 21 | 11.0 |
|         | 20 - 08   |      | 26.9     | 1.6     | 13.5     | 1.6     | 88.0   | 25 | 53.85 | 20 | 70  | 38   | 23 | 13.0 |
|         | 20 - 10   |      | 26.9     | 1.6     | 17.2     | 1.6     | 88.0   | 25 | 53.85 | 20 | 70  | 38   | 23 | 13.0 |
|         | 25 - 08   |      | 33.7     | 2.0     | 13.5     | 1.6     | 88.0   | 25 | 56.85 | 20 | 76  | 45   | 26 | 16.0 |
|         | 25 - 10   |      | 33.7     | 2.0     | 17.2     | 1.6     | 88.0   | 25 | 56.85 | 20 | 76  | 45   | 26 | 16.0 |
|         | 32 - 08   |      | 42.4     | 2.0     | 13.5     | 1.6     | 88.0   | 25 | 61.20 | 20 | 84  | 52   | 29 | 19.0 |
|         | 32 - 10   |      | 42.4     | 2.0     | 17.2     | 1.6     | 88.0   | 25 | 61.20 | 20 | 84  | 52   | 29 | 19.0 |
|         | 40 - 08   |      | 48.3     | 2.0     | 13.5     | 1.6     | 88.0   | 25 | 64.15 | 20 | 90  | 57   | 31 | 21.0 |
|         | 40 - 10   |      | 48.3     | 2.0     | 17.2     | 1.6     | 88.0   | 25 | 64.15 | 20 | 90  | 57   | 31 | 20.0 |
|         | 50 - 08   |      | 60.3     | 2.0     | 13.5     | 1.6     | 98.0   | 30 | 70.15 | 20 | 102 | 66   | 34 | 24.0 |
|         | 50 - 10   |      | 60.3     | 2.0     | 17.2     | 1.6     | 98.0   | 30 | 70.15 | 20 | 102 | 66   | 34 | 24.0 |
|         | 65 - 08   |      | 76.1     | 2.0     | 13.5     | 1.6     | 98.0   | 30 | 78.05 | 20 | 118 | 80   | 40 | 30.0 |
| 80 - 08 | 88.9      | 2.3  | 13.5     | 1.6     | 98.0     | 30      | 84.15  | 20 | 131   | 92 | 46  | 36.0 |    |      |
| 80 - 10 | 88.9      | 2.3  | 17.2     | 1.6     | 98.0     | 30      | 84.15  | 20 | 131   | 92 | 46  | 35.0 |    |      |

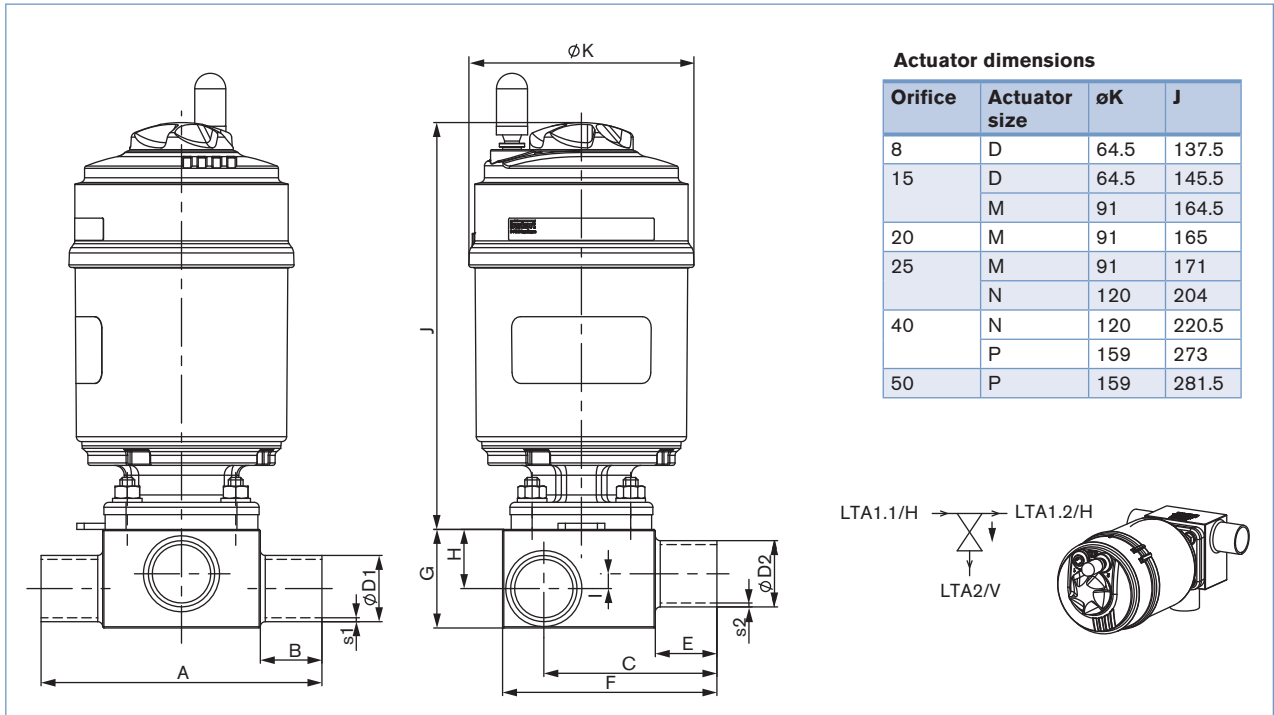
## Dimensions [mm], continued

Body with weld end acc. to DIN EN ISO 1127 / ISO 4200 / DIN 11866 Series B

| DN-Sitz  | LTA1-LTA2 | ANTG  | øD1 ±0.1 | s1 ±0.1 | øD2 ±0.1 | s2 ±0.1 | A ±0.3 | B  | C      | E   | F   | G    | H  | I    |
|----------|-----------|-------|----------|---------|----------|---------|--------|----|--------|-----|-----|------|----|------|
| 15.0     | 08 - 08   | D / M | 13.5     | 1.6     | 13.5     | 1.6     | 93.0   | 20 | 52.05  | 20  | 70  | 27   | 17 | 4.5  |
|          | 10 - 08   |       | 17.2     | 1.6     | 13.5     | 1.6     | 93.0   | 20 | 53.90  | 20  | 70  | 31   | 18 | 4.5  |
|          | 10 - 10   |       | 17.2     | 1.6     | 17.2     | 1.6     | 93.0   | 20 | 54.90  | 20  | 70  | 28   | 16 | 2.5  |
|          | 15 - 08   |       | 21.3     | 1.6     | 13.5     | 1.6     | 93.0   | 20 | 56.95  | 20  | 71  | 34.5 | 21 | 7.5  |
|          | 15 - 15   |       | 21.3     | 1.6     | 21.3     | 1.6     | 93.0   | 20 | 55.95  | 20  | 71  | 35   | 21 | 6.5  |
|          | 20 - 08   |       | 26.9     | 1.6     | 13.5     | 1.6     | 103.0  | 25 | 59.75  | 20  | 76  | 41   | 25 | 11.5 |
|          | 20 - 10   |       | 26.9     | 1.6     | 17.2     | 1.6     | 103.0  | 25 | 59.75  | 20  | 78  | 42   | 25 | 11.5 |
|          | 20 - 15   |       | 26.9     | 1.6     | 21.3     | 1.6     | 103.0  | 25 | 58.75  | 20  | 78  | 42   | 25 | 11.5 |
|          | 25 - 10   |       | 33.7     | 2.0     | 17.2     | 1.6     | 103.0  | 25 | 62.75  | 20  | 83  | 48   | 28 | 14.5 |
|          | 25 - 15   |       | 33.7     | 2.0     | 21.3     | 1.6     | 103.0  | 25 | 62.75  | 20  | 82  | 47   | 28 | 14.5 |
|          | 32 - 08   |       | 42.4     | 2.0     | 13.5     | 1.6     | 103.0  | 25 | 67.10  | 20  | 91  | 56   | 32 | 18.5 |
|          | 32 - 10   |       | 42.4     | 2.0     | 17.2     | 1.6     | 103.0  | 25 | 67.10  | 20  | 91  | 56   | 32 | 18.5 |
|          | 32 - 15   |       | 42.4     | 2.0     | 21.3     | 1.6     | 103.0  | 25 | 67.10  | 20  | 91  | 56   | 32 | 18.5 |
|          | 40 - 08   |       | 48.3     | 2.0     | 13.5     | 1.6     | 103.0  | 25 | 69.05  | 20  | 97  | 61   | 34 | 20.5 |
|          | 40 - 10   |       | 48.3     | 2.0     | 17.2     | 1.6     | 103.0  | 25 | 70.05  | 20  | 97  | 63   | 35 | 21.5 |
|          | 40 - 15   |       | 48.3     | 2.0     | 21.3     | 1.6     | 103.0  | 25 | 69.05  | 20  | 97  | 63   | 35 | 21.5 |
|          | 50 - 08   |       | 60.3     | 2.0     | 13.5     | 1.6     | 113.0  | 30 | 76.05  | 20  | 109 | 71   | 38 | 24.5 |
|          | 50 - 10   |       | 60.3     | 2.0     | 17.2     | 1.6     | 113.0  | 30 | 76.05  | 20  | 109 | 72   | 38 | 24.5 |
|          | 50 - 15   |       | 60.3     | 2.0     | 21.3     | 1.6     | 113.0  | 30 | 76.05  | 20  | 109 | 72   | 38 | 24.5 |
|          | 65 - 08   |       | 76.1     | 2.0     | 13.5     | 1.6     | 113.0  | 30 | 83.95  | 20  | 125 | 85   | 44 | 30.5 |
| 65 - 15  | 76.1      | 2.0   | 21.3     | 1.6     | 113.0    | 30      | 83.95  | 20 | 125    | 85  | 44  | 30.5 |    |      |
| 80 - 08  | 88.9      | 2.3   | 13.5     | 1.6     | 113.0    | 30      | 90.05  | 20 | 140    | 99  | 52  | 38.5 |    |      |
| 80 - 10  | 88.9      | 2.3   | 17.2     | 1.6     | 113.0    | 30      | 90.05  | 20 | 137    | 94  | 47  | 33.5 |    |      |
| 80 - 15  | 88.9      | 2.3   | 21.3     | 1.6     | 113.0    | 30      | 90.05  | 20 | 137    | 94  | 47  | 33.5 |    |      |
| 100 - 15 | 114.3     | 2.3   | 21.3     | 1.6     | 113.0    | 30      | 102.75 | 20 | 163    | 120 | 60  | 46.5 |    |      |
| 20.0     | 20 - 20   | M     | 26.9     | 1.6     | 26.9     | 1.6     | 114.0  | 25 | 70.25  | 25  | 88  | 42   | 24 | 6.0  |
|          | 25 - 20   |       | 33.7     | 2.0     | 26.9     | 1.6     | 114.0  | 25 | 73.25  | 25  | 94  | 48   | 28 | 10.0 |
|          | 32 - 20   |       | 42.4     | 2.0     | 26.9     | 1.6     | 114.0  | 25 | 78.60  | 25  | 102 | 57   | 33 | 15.0 |
|          | 40 - 20   |       | 48.3     | 2.0     | 26.9     | 1.6     | 114.0  | 25 | 80.55  | 25  | 108 | 63   | 35 | 17.0 |
|          | 50 - 20   |       | 60.3     | 2.0     | 26.9     | 1.6     | 124.0  | 30 | 86.55  | 25  | 121 | 74   | 40 | 22.0 |
|          | 65 - 20   |       | 76.1     | 2.0     | 26.9     | 1.6     | 124.0  | 30 | 94.45  | 25  | 136 | 86   | 45 | 27.0 |
|          | 80 - 20   |       | 88.9     | 2.3     | 26.9     | 1.6     | 124.0  | 30 | 100.55 | 25  | 148 | 94   | 47 | 29.0 |
|          | 100 - 20  |       | 114.3    | 2.3     | 26.9     | 1.6     | 124.0  | 30 | 113.25 | 25  | 173 | 120  | 60 | 42.0 |
| 25.0     | 25 - 25   | M / N | 33.7     | 2.0     | 33.7     | 2.0     | 124.5  | 25 | 78.55  | 25  | 98  | 53   | 33 | 13   |
|          | 32 - 25   |       | 42.4     | 2.0     | 33.7     | 2.0     | 124.5  | 25 | 82.9   | 25  | 107 | 62   | 38 | 18   |
|          | 40 - 25   |       | 48.3     | 2.0     | 33.7     | 2.0     | 124.5  | 25 | 85.85  | 25  | 114 | 69   | 41 | 21   |
|          | 50 - 25   |       | 60.3     | 2.0     | 33.7     | 2.0     | 134.5  | 30 | 91.85  | 25  | 125 | 78   | 45 | 25.0 |
|          | 65 - 25   |       | 76.1     | 2.0     | 33.7     | 2.0     | 134.5  | 30 | 99.75  | 25  | 142 | 94   | 52 | 32.0 |
|          | 80 - 25   |       | 88.9     | 2.3     | 33.7     | 2.0     | 134.5  | 30 | 105.85 | 25  | 153 | 101  | 54 | 34.0 |
|          | 150 - 25  |       | 168.3    | 2.6     | 33.7     | 2.0     | 134.5  | 30 | 145.25 | 25  | 232 | 174  | 87 | 67.0 |
| 40.0     | 32 - 32   | M / P | 42.4     | 2.0     | 42.4     | 2.0     | 152.0  | 25 | 97.00  | 25  | 122 | 62   | 37 | 8.4  |
|          | 40 - 32   |       | 48.3     | 2.0     | 42.4     | 2.0     | 152.0  | 25 | 99.95  | 25  | 128 | 68   | 41 | 12.4 |
|          | 40 - 40   |       | 48.3     | 2.0     | 48.3     | 2.0     | 152.0  | 25 | 99.95  | 25  | 128 | 68   | 41 | 12.4 |
|          | 50 - 32   |       | 60.3     | 2.0     | 42.4     | 2.0     | 162.0  | 30 | 105.95 | 25  | 140 | 82   | 48 | 19.4 |
|          | 50 - 40   |       | 60.3     | 2.0     | 48.3     | 2.0     | 162.0  | 30 | 105.95 | 25  | 140 | 82   | 48 | 19.4 |
|          | 65 - 40   |       | 76.1     | 2.0     | 48.3     | 2.0     | 162.0  | 30 | 113.85 | 25  | 155 | 97   | 55 | 26.4 |
|          | 80 - 32   |       | 88.9     | 2.3     | 42.4     | 2.0     | 162.0  | 30 | 119.95 | 25  | 168 | 108  | 60 | 31.4 |
|          | 80 - 40   |       | 88.9     | 2.3     | 48.3     | 2.0     | 162.0  | 30 | 119.95 | 25  | 168 | 108  | 60 | 31.4 |
|          | 100 - 32  |       | 114.3    | 2.3     | 42.4     | 2.0     | 162.0  | 30 | 132.65 | 25  | 193 | 129  | 68 | 39.4 |
|          | 100 - 40  |       | 114.3    | 2.3     | 48.3     | 2.0     | 162.0  | 30 | 132.65 | 25  | 193 | 129  | 68 | 39.4 |
| 50.0     | 50 - 50   | P     | 60.3     | 2.0     | 60.3     | 2.0     | 188.0  | 30 | 120.15 | 30  | 154 | 82   | 48 | 12.5 |
|          | 65 - 50   |       | 76.1     | 2.0     | 60.3     | 2.0     | 188.0  | 30 | 128.05 | 30  | 172 | 100  | 56 | 20.5 |
|          | 80 - 50   |       | 88.9     | 2.3     | 60.3     | 2.0     | 188.0  | 30 | 134.15 | 30  | 183 | 110  | 61 | 25.5 |
|          | 100 - 50  |       | 114.3    | 2.3     | 60.3     | 2.0     | 188.0  | 30 | 146.85 | 30  | 208 | 131  | 70 | 34.5 |
|          | 150 - 50  |       | 168.3    | 2.6     | 60.3     | 2.0     | 188.0  | 30 | 173.55 | 30  | 261 | 176  | 88 | 52.5 |

Dimensions [mm]

Diaphragm valve with T-body, ASME Version



Actuator dimensions

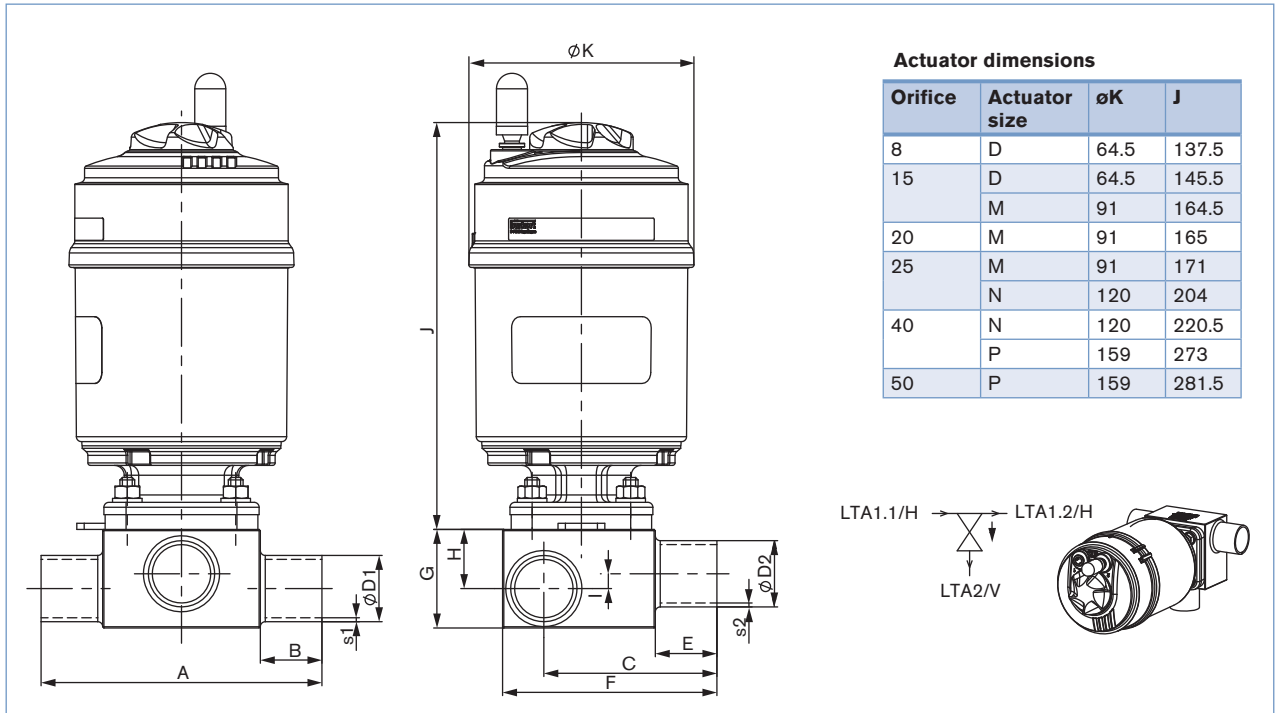
| Orifice | Actuator size | øK   | J     |
|---------|---------------|------|-------|
| 8       | D             | 64.5 | 137.5 |
| 15      | D             | 64.5 | 145.5 |
|         | M             | 91   | 164.5 |
| 20      | M             | 91   | 165   |
| 25      | M             | 91   | 171   |
|         | N             | 120  | 204   |
| 40      | N             | 120  | 220.5 |
|         | P             | 159  | 273   |
| 50      | P             | 159  | 281.5 |

DTS 1000204566 EN Version: C validé printed: 21.08.2014 Status: RL (released | freigegeben |

| DN-Sitz | LTA1-LTA2 | ANTG  | øD1 ±0.1 | s1 ±0.1 | øD2 ±0.1 | s2 ±0.1 | A ±0.3 | B  | C      | E  | F   | G   | H    | I    |
|---------|-----------|-------|----------|---------|----------|---------|--------|----|--------|----|-----|-----|------|------|
| 0.8     | 20 - 08   | D     | 19.05    | 1.65    | 6.35     | 0.89    | 88.0   | 25 | 49.88  | 20 | 61  | 32  | 20   | 10.0 |
|         | 25 - 10   |       | 25.40    | 1.65    | 9.53     | 0.89    | 78.0   | 20 | 53.05  | 20 | 68  | 38  | 23   | 13.0 |
|         | 40 - 08   |       | 38.10    | 1.65    | 6.35     | 0.89    | 88.0   | 25 | 59.40  | 20 | 80  | 49  | 28   | 18.0 |
|         | 50 - 08   |       | 50.80    | 1.65    | 6.35     | 0.89    | 98.0   | 30 | 65.75  | 20 | 93  | 59  | 32   | 22.0 |
|         | 65 - 08   |       | 63.50    | 1.65    | 6.35     | 0.89    | 98.0   | 30 | 72.10  | 20 | 106 | 70  | 36   | 26.0 |
| 15.0    | 15 - 15   | D / M | 12.70    | 1.65    | 12.70    | 1.65    | 93.0   | 20 | 51.60  | 20 | 70  | 27  | 13.5 | 0.0  |
|         | 20 - 15   |       | 19.05    | 1.65    | 12.70    | 1.65    | 103.0  | 20 | 54.78  | 20 | 70  | 31  | 18.5 | 5.0  |
|         | 25 - 15   |       | 25.40    | 1.65    | 12.70    | 1.65    | 103.0  | 20 | 57.95  | 20 | 75  | 40  | 24   | 10.5 |
|         | 40 - 15   |       | 38.10    | 1.65    | 12.70    | 1.65    | 103.0  | 25 | 64.30  | 20 | 88  | 54  | 31   | 17.5 |
|         | 50 - 15   |       | 50.80    | 1.65    | 12.70    | 1.65    | 113.0  | 30 | 71.65  | 20 | 100 | 64  | 35   | 21.5 |
|         | 65 - 15   |       | 63.50    | 1.65    | 12.70    | 1.65    | 113.0  | 30 | 78.80  | 20 | 113 | 73  | 38   | 24.5 |
|         | 80 - 15   |       | 76.20    | 1.65    | 12.70    | 1.65    | 113.0  | 30 | 84.35  | 20 | 125 | 85  | 44   | 30.5 |
| 20.0    | 20 - 20   | M     | 19.05    | 1.65    | 19.05    | 1.65    | 114.0  | 25 | 66.28  | 25 | 85  | 36  | 18   | 0.0  |
|         | 25 - 20   |       | 25.40    | 1.65    | 19.05    | 1.65    | 114.0  | 25 | 69.45  | 25 | 90  | 40  | 24   | 6.0  |
|         | 40 - 20   |       | 38.10    | 1.65    | 19.05    | 1.65    | 114.0  | 25 | 75.80  | 25 | 98  | 53  | 31   | 13.0 |
|         | 50 - 20   |       | 50.80    | 1.65    | 19.05    | 1.65    | 124.0  | 30 | 82.15  | 25 | 111 | 66  | 37   | 19.0 |
|         | 65 - 20   |       | 63.50    | 1.65    | 19.05    | 1.65    | 124.0  | 30 | 88.50  | 25 | 123 | 75  | 40   | 22.0 |
|         | 80 - 20   |       | 76.20    | 1.65    | 19.05    | 1.65    | 124.0  | 30 | 94.85  | 25 | 137 | 87  | 45   | 27.0 |
|         | 100 - 20  |       | 101.60   | 2.11    | 19.05    | 1.65    | 124.0  | 30 | 107.09 | 25 | 161 | 108 | 54   | 36.0 |
| 25.0    | 25 - 25   | M / N | 25.40    | 1.65    | 25.40    | 1.65    | 124.5  | 25 | 74.75  | 25 | 95  | 42  | 26   | 6.0  |
|         | 40 - 25   |       | 38.10    | 1.65    | 25.40    | 1.65    | 124.5  | 25 | 81.10  | 25 | 103 | 58  | 36   | 16.0 |
|         | 50 - 25   |       | 50.80    | 1.65    | 25.40    | 1.65    | 134.5  | 30 | 87.45  | 25 | 120 | 75  | 44   | 24.0 |
|         | 65 - 25   |       | 63.50    | 1.65    | 25.40    | 1.65    | 134.5  | 30 | 93.80  | 25 | 130 | 83  | 48   | 28.0 |
|         | 80 - 25   |       | 76.20    | 1.65    | 25.40    | 1.65    | 134.5  | 30 | 100.15 | 25 | 142 | 94  | 52   | 32.0 |
| 40.0    | 40 - 40   | N / P | 38.10    | 1.65    | 38.10    | 1.65    | 152.0  | 25 | 95.20  | 25 | 121 | 58  | 35   | 6.4  |
|         | 50 - 40   |       | 50.80    | 1.65    | 38.10    | 1.65    | 162.0  | 30 | 101.55 | 25 | 131 | 72  | 43   | 14.4 |
|         | 65 - 40   |       | 63.50    | 1.65    | 38.10    | 1.65    | 162.0  | 30 | 107.90 | 25 | 143 | 85  | 50   | 21.4 |
|         | 80 - 40   |       | 76.20    | 1.65    | 38.10    | 1.65    | 162.0  | 30 | 114.25 | 25 | 156 | 98  | 56   | 27.4 |
| 50.0    | 50 - 50   | P     | 50.80    | 1.65    | 50.80    | 1.65    | 188.0  | 30 | 115.75 | 30 | 145 | 71  | 42   | 6.5  |
|         | 65 - 50   |       | 63.50    | 1.65    | 50.80    | 1.65    | 188.0  | 30 | 122.10 | 30 | 157 | 85  | 50   | 14.5 |
|         | 65 - 65   |       | 63.50    | 1.65    | 63.50    | 1.65    | 188.0  | 30 | 122.10 | 30 | 158 | 86  | 50   | 14.5 |
|         | 80 - 50   |       | 76.20    | 1.65    | 50.80    | 1.65    | 188.0  | 30 | 128.45 | 30 | 169 | 98  | 56   | 20.5 |
|         | 100 - 65  |       | 101.60   | 2.11    | 63.50    | 1.65    | 188.0  | 30 | 140.69 | 30 | 195 | 120 | 66   | 30.5 |

## Dimensions [mm]

Diaphragm valve with T-body acc. to DIN 11850 Series 0 and series 2 / DIN 11866 Series A



## DIN 11850 S.0 version

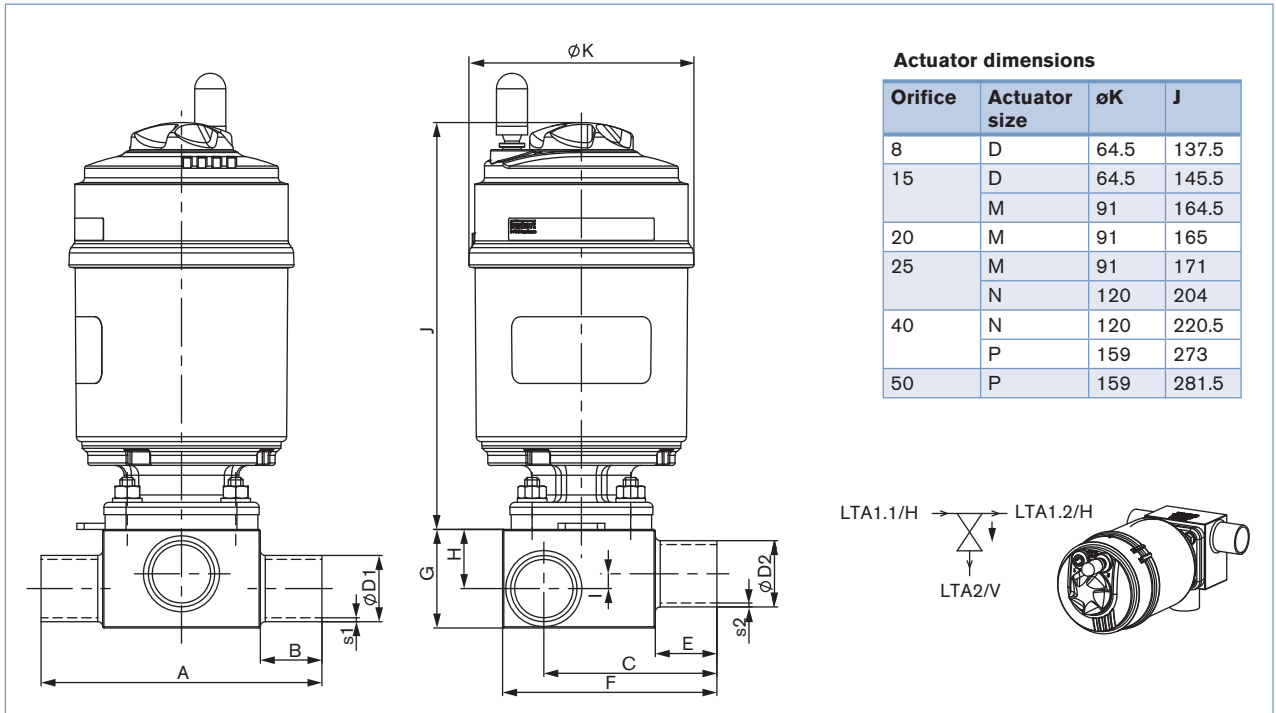
| DN-Sitz | LTA1-LTA2 | ANTG  | øD1 ±0.1 | s1 ±0.1 | øD2 ±0.1 | s2 ±0.1 | A ±0.3 | B    | C     | E  | F   | G  | H   | I    |
|---------|-----------|-------|----------|---------|----------|---------|--------|------|-------|----|-----|----|-----|------|
| 08.0    | 04 - 04   | D     | 6.0      | 1.0     | 6.0      | 1.0     | 78.0   | 20   | 43.0  | 20 | 60  | 17 | 6.5 | 0.0  |
|         | 06 - 06   |       | 8.0      | 1.0     | 8.0      | 1.0     | 75.0   | 17.5 | 46.5  | 20 | 60  | 13 | 7   | 0.0  |
|         | 40 - 04   |       | 40.0     | 1.5     | 6.0      | 1.0     | 88.0   | 25   | 60.5  | 20 | 83  | 51 | 29  | 19.0 |
|         | 40 - 08   |       | 40.0     | 1.5     | 10.0     | 1.0     | 88.0   | 25   | 60.5  | 20 | 83  | 51 | 29  | 19.0 |
|         | 50 - 04   |       | 52.0     | 1.5     | 6.0      | 1.0     | 98.0   | 30   | 66.5  | 20 | 95  | 60 | 32  | 22.0 |
| 15.0    | 50 - 15   | D / M | 52.0     | 1.5     | 18.0     | 1.5     | 113.0  | 30   | 72.4  | 20 | 101 | 65 | 36  | 22.5 |
| 25.0    | 25 - 25   | M / N | 28.0     | 1.5     | 28.0     | 1.5     | 124.5  | 25   | 76.2  | 25 | 95  | 46 | 29  | 9.0  |
|         | 50 - 25   |       | 52.0     | 1.5     | 28.0     | 1.5     | 134.5  | 30   | 88.2  | 25 | 117 | 71 | 42  | 22.0 |
| 40.0    | 25 - 32   | N / P | 28.0     | 1.5     | 34.0     | 1.5     | 152.0  | 25   | 90.3  | 25 | 122 | 58 | 32  | 3.4  |
|         | 50 - 32   |       | 52.0     | 1.5     | 34.0     | 1.5     | 162.0  | 30   | 102.3 | 25 | 132 | 75 | 45  | 16.4 |
| 50.0    | 50 - 50   | P     | 52.0     | 1.5     | 52.0     | 1.5     | 188.0  | 30   | 116.5 | 30 | 147 | 73 | 43  | 7.5  |

## DIN 11850 S.2 version

| DN-Sitz | LTA1-LTA2 | ANTG  | øD1 ±0.1 | s1 ±0.1 | øD2 ±0.1 | s2 ±0.1 | A ±0.3 | B  | C     | E  | F   | G  | H    | I    |
|---------|-----------|-------|----------|---------|----------|---------|--------|----|-------|----|-----|----|------|------|
| 08.0    | 10 - 10   | D     | 13.0     | 1.5     | 13.0     | 1.5     | 78.0   | 20 | 47.0  | 20 | 60  | 24 | 15   | 5.0  |
|         | 20 - 10   |       | 23.0     | 1.5     | 13.0     | 1.5     | 88.0   | 25 | 52.0  | 20 | 66  | 36 | 22   | 12.0 |
| 15.0    | 15 - 15   | D / M | 19.0     | 1.5     | 19.0     | 1.5     | 93.0   | 20 | 54.9  | 20 | 70  | 33 | 20   | 6.5  |
|         | 20 - 15   |       | 23.0     | 1.5     | 19.0     | 1.5     | 103.0  | 20 | 56.9  | 20 | 72  | 37 | 22.5 | 8.5  |
|         | 25 - 15   |       | 29.0     | 1.5     | 19.0     | 1.5     | 103.0  | 25 | 60.9  | 20 | 78  | 43 | 26   | 12.5 |
|         | 32 - 15   |       | 35.0     | 1.5     | 19.0     | 1.5     | 103.0  | 25 | 62.9  | 20 | 84  | 50 | 29   | 14.5 |
|         | 40 - 15   |       | 41.0     | 1.5     | 19.0     | 1.5     | 103.0  | 25 | 65.9  | 20 | 91  | 56 | 32   | 18.5 |
|         | 50 - 15   |       | 53.0     | 1.5     | 19.0     | 1.5     | 113.0  | 30 | 72.9  | 20 | 102 | 65 | 36   | 22.5 |
| 20.0    | 20 - 20   | M     | 23.0     | 1.5     | 23.0     | 1.5     | 114.0  | 25 | 68.4  | 25 | 88  | 42 | 21   | 3.0  |
|         | 32 - 20   |       | 35.0     | 1.5     | 23.0     | 1.5     | 114.0  | 25 | 74.4  | 25 | 95  | 50 | 29   | 11.0 |
|         | 40 - 20   |       | 41.0     | 1.5     | 23.0     | 1.5     | 114.0  | 25 | 77.4  | 25 | 101 | 56 | 32   | 14.0 |
| 25.0    | 25 - 25   | M / N | 29.0     | 1.5     | 29.0     | 1.5     | 124.5  | 25 | 76.7  | 25 | 98  | 48 | 30   | 10.0 |
|         | 40 - 25   |       | 41.0     | 1.5     | 29.0     | 1.5     | 124.5  | 25 | 82.7  | 25 | 106 | 61 | 38   | 18.0 |
|         | 50 - 25   |       | 53.0     | 1.5     | 29.0     | 1.5     | 134.5  | 30 | 88.7  | 25 | 120 | 73 | 44   | 24.0 |
| 40.0    | 32 - 32   | N / P | 35.0     | 1.5     | 35.0     | 1.5     | 152.0  | 25 | 93.8  | 25 | 121 | 52 | 31   | 2.4  |
|         | 40 - 40   |       | 41.0     | 1.5     | 41.0     | 1.5     | 152.0  | 25 | 96.8  | 25 | 121 | 62 | 37   | 8.4  |
|         | 50 - 40   |       | 53.0     | 1.5     | 41.0     | 1.5     | 162.0  | 30 | 102.8 | 25 | 133 | 75 | 45   | 16.4 |
| 50.0    | 50 - 50   | P     | 53.0     | 1.5     | 53.0     | 1.5     | 188.0  | 30 | 117.0 | 30 | 147 | 74 | 44   | 8.5  |

## Dimensions [mm], continued

## Diaphragm valve with T-Body, SMS 3008



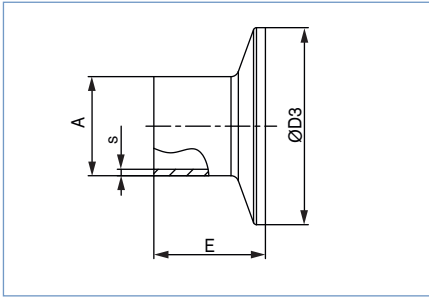
## SMS Version

| DN-Sitz | LTA1-LTA2 | ANTG  | øD1 ±0.1 | s1 ±0.1 | øD2 ±0.1 | s2 ±0.1 | A ±0.3 | B  | C     | E  | F   | G  | H  | I    |
|---------|-----------|-------|----------|---------|----------|---------|--------|----|-------|----|-----|----|----|------|
| 25.0    | 25 - 25   | M / N | 25.0     | 1.2     | 25.0     | 1.2     | 124.5  | 25 | 75.0  | 25 | 95  | 43 | 27 | 7.0  |
|         | 40 - 25   |       | 38.0     | 1.2     | 25.0     | 1.2     | 124.5  | 25 | 81.5  | 25 | 103 | 58 | 36 | 16.0 |
|         | 50 - 25   |       | 51.0     | 1.2     | 25.0     | 1.2     | 134.5  | 30 | 88.0  | 25 | 118 | 72 | 42 | 22.0 |
| 40.0    | 40 - 40   | N / P | 38.0     | 1.2     | 38.0     | 1.2     | 152.0  | 25 | 95.6  | 25 | 121 | 58 | 35 | 6.4  |
|         | 50 - 40   |       | 51.0     | 1.2     | 38.0     | 1.2     | 162.0  | 30 | 102.1 | 25 | 131 | 73 | 44 | 15.4 |
| 50.0    | 50 - 50   | P     | 51.0     | 1.2     | 51.0     | 1.2     | 188.0  | 30 | 116.3 | 30 | 147 | 73 | 43 | 7.5  |



## Dimensions [mm], continued

## Clamp body



## ASME BPE

| Orifice [mm] | Orifice [Zoll] | A     | s    | D3    | E    |
|--------------|----------------|-------|------|-------|------|
| 08           | 1/4"           | 6.35  | 0.89 | 25.0  | 28.6 |
| 10           | 3/8"           | 9.53  | 0.89 | 25.0  | 28.6 |
| 15           | 1/2"           | 12.7  | 1.65 | 25.0  | 28.6 |
| 20           | 3/4"           | 19.05 | 1.65 | 25.0  | 28.6 |
| 25           | 1"             | 25.4  | 1.65 | 50.5  | 28.6 |
| 40           | 1 1/2"         | 38.1  | 1.65 | 50.5  | 28.6 |
| 50           | 2"             | 50.8  | 1.65 | 64.0  | 28.6 |
| 65           | 2 1/2"         | 63.5  | 1.65 | 77.5  | 28.6 |
| 80           | 3"             | 76.2  | 1.65 | 91.0  | 28.6 |
| 100          | 4"             | 101.6 | 2.11 | 119.0 | 28.6 |

## DIN 32676 Series A (DIN tube)

| Orifice [mm] | A  | s   | D3   | E    |
|--------------|----|-----|------|------|
| 10           | 18 | 1.5 | 34.0 | 18   |
| 15           | 19 | 1.5 | 34.0 | 18   |
| 20           | 23 | 1.5 | 34.0 | 18   |
| 25           | 29 | 1.5 | 50.5 | 21.5 |
| 32           | 35 | 1.5 | 50.5 | 21.5 |
| 40           | 41 | 1.5 | 50.5 | 21.5 |
| 50           | 53 | 1.5 | 64.0 | 21.5 |
| 65           | 70 | 2.0 | 91.0 | 28   |

## DIN 32676 Series B (ISO tube)

| Orifice [mm] | A     | s   | D3    | E    |
|--------------|-------|-----|-------|------|
| 8            | 13.5  | 1.6 | 25.0  | 28.6 |
| 8            | 13.5  | 1.6 | 34.0  | 28.6 |
| 10           | 17.2  | 1.6 | 34.0  | 28.6 |
| 15           | 21.3  | 1.6 | 34.0  | 28.6 |
| 15           | 21.3  | 1.6 | 50.5  | 28.6 |
| 20           | 26.9  | 1.6 | 50.5  | 28.6 |
| 25           | 33.7  | 2   | 50.5  | 28.6 |
| 32           | 42.4  | 2   | 50.5  | 28.6 |
| 40           | 48.3  | 2   | 64.0  | 28.6 |
| 50           | 60.3  | 2   | 77.5  | 28.6 |
| 65           | 76.1  | 2   | 91.0  | 28.6 |
| 100          | 114.3 | 2.3 | 130.0 | 28.6 |

## SMS

| Orifice [mm] | A  | s   | D3   | E    |
|--------------|----|-----|------|------|
| 25           | 25 | 1.2 | 50.5 | 21.5 |
| 40           | 38 | 1.2 | 50.5 | 28.6 |
| 50           | 51 | 1.2 | 64.0 | 28.6 |

**Ordering information for Valve system On/Off Element Type 8801-TB/8803-TB**

A valve system On/Off Element Type 8801-TB/8803-TB consists of a T valve Type 2104 and a valve actuation system control head Type 8691 or 8695, a pneumatic control unit Type 8690 or 8697 (see separate datasheets).

For the configuration of further valve systems please use the "Request for quotation" on p. 12

[go to page](#)

You order two components and receive a complete assembled and certified valve.

**System On/Off Element 8801-TB/8803-TB**

**T valve Type 2104**



**Control Heads**



**Control Units**



**T valve with desired control head and units**



**Valve system On/Off Classic**  
**Type 8801-TB-H 2104 + 8691**  
**Type 8801-TB-M 2104 + 8695**



**Valve system On/Off Classic**  
**Type 8801-TB-K 2104 + 8690**  
**Type 8801-TB-U 2104 + 8697**

When you click on the orange box "More info." below, you will come to our website for the resp. product where you can download the datasheet.

**Control Head Type 8691**



**More info.**

The new generation of integrated control heads for combination with actuators from the process valve series Type 20xx/21xx is specially designed for the requirements of hygienic process environments. The intelligent control head, Type 8691, detects the valve position by means of a contact-free analog position sensor circumventing excessive wear of mechanical parts. Single or double-acting actuators are controlled via the integral pilot valve. Communication interfaces AS-Interface and DeviceNet are available as options.

**Main customer benefits:**

- Automatic setting of the control head at the push of a button
- Even under dirty or dark environments, a clearly visible status display due to powerful LEDs
- Monitoring and diagnosis: Process valve systems with field bus interface used in modern plant processes
- Integrated pilot valve with manual actuation
- Air intake filter enhances the process valve system availability
- Simple and reliable actuator adaption
- Adaptable to a wide range of 3rd Party actuators

**Control Head Type 8695**



**More info.**

The new generation of integrated control heads for combination with small actuators from the process valve series Type 21xx is specially designed for the requirements of hygienic process environments. The intelligent control head, Type 8695, detects the valve position by means of a contact-free analog position sensor circumventing excessive wear of mechanical parts. Single and double-acting actuators are controlled via the integral pilot valve. The option of AS interface communication is available.

**Main customer benefits:**

- Compact, hygienic designed valve system with integrated controller meets the requirements of cleanliness through choice of materials, external seals and integrated control air supply to the actuator
- Automatic setting of the control head at the push of a button
- Visual status display on the control head
- Monitoring and diagnosis: Process valve systems with fieldbus interface for modern process landscape
- Integrated pilot valve
- Simple and reliable actuator adaption

**Pneumatic control unit Type 8690 or 8697**



**More info.**



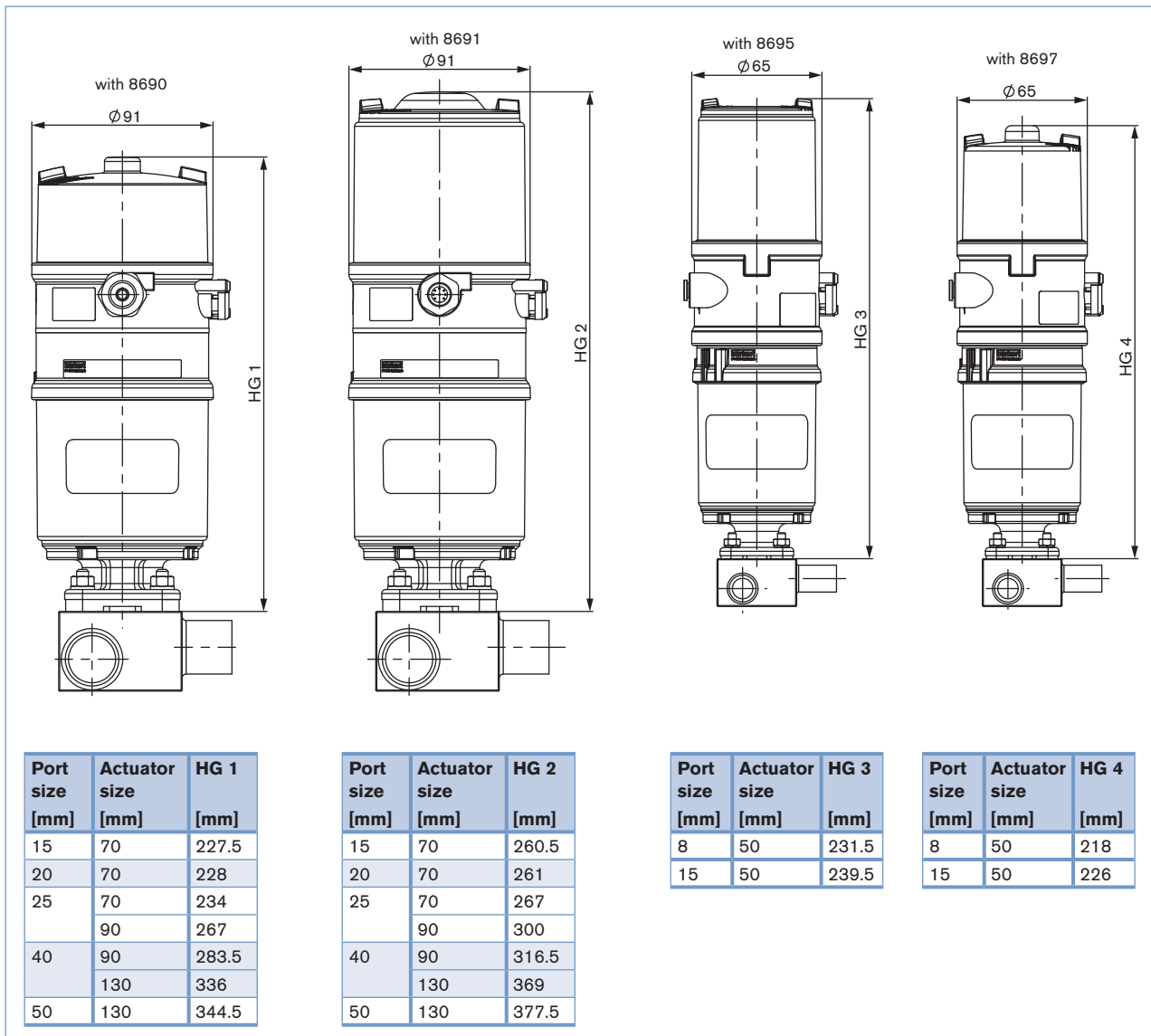
**More info.**

The new generation of integrated controllers for combination with actuators from the process valve series Type 20xx/21xx is specially designed for the requirements of hygienic process environments. The pneumatic control unit Type 8690/8697 combines electrical position feedback and pneumatic control for single or double-acting actuators, and is also optionally available as an intrinsically safe model to ATEX.

**Main customer benefits:**

- Integrated pilot valve with manual actuation
- Air intake filter enhances the process valve system availability
- Simple and reliable actuator adaption
- Adaptable to a wide range of 3rd Party actuators

Dimensions for valve system On/Off ELEMENT Type 8801-TB [mm]





**Valve system On/Off Element Type 8801-TA/8803-TB – Request for quotation, *continued***

**Certifications**

- Attestation of compliance with the order EN-ISO 10204 2.1 (Item no. 440 788)
- Test report EN-ISO 10204 2.2 ( Item no. 803 722)
- Certification of Conformity for Raw Material EN-ISO 10204 3.1 (will be supplied)
- EN161 (European Gas Device guideline)
- FDA - USP certificate

**Comment / sketch**

|  |
|--|
|  |
|  |
|  |
|  |
|  |
|  |

Valve features

Example

A 15 AB B VH SA42 SA42 NO14

Specification key

Please make a choice

| Control function |                                  |
|------------------|----------------------------------|
| A                | Normally closed by spring action |
| B                | normally open by spring action   |
| I                | double acting                    |

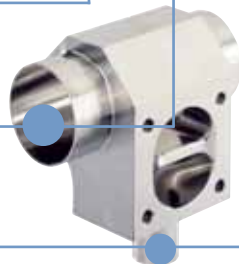
| SIZE [mm] (Diaphragm) |  |
|-----------------------|--|
| 8                     |  |
| 15                    |  |
| 20                    |  |
| 25                    |  |
| 40                    |  |
| 50                    |  |

| SEAL MATERIAL |                      |
|---------------|----------------------|
| AB            | EPDM in food quality |
| EU            | Advanced PTFE        |
| FF            | FPM (Viton)          |

| PRODUCTION OF BODY |           |
|--------------------|-----------|
| B                  | Monoblock |

| Body material |                         |
|---------------|-------------------------|
| VH            | 1.4435/AISI 316 L       |
| VI            | 1.4435 acc. to BN2/ASME |

| VARIABLE CODES           |                                    |
|--------------------------|------------------------------------|
| Surface finish external  |                                    |
| NO03                     | Ext. Mirror finished Ra=0.25 µm    |
| NO15                     | Electro polished Ra=0.8 µm         |
| NO34                     | Mechanical polished Ra=1.2 µm      |
| NO22                     | Mechanical polished Ra=1.2 µm      |
| Surface finish, internal |                                    |
| NO07                     | Int. Mirror finished Ra=0.25 µm    |
| NO14                     | Mechanical polished Ra=0.5 µm      |
| NO17                     | Int. electro polished Ra=0.38 µm   |
| NO23                     | Int. mechanical polished Ra=0.6 µm |
| NO16                     | Int. electro polished Ra=0.6 µm    |
| NK52                     | 3.1 Certificate integrated         |



øD1 main tube connection

øD2 outlet tube connection

| DN [mm] | Port connection weld end             |                  |                 |                 |                               |                 |                  |                         |
|---------|--------------------------------------|------------------|-----------------|-----------------|-------------------------------|-----------------|------------------|-------------------------|
|         | EN ISO 1127/ ISO 4200 DIN 11866 S. B | SMS 3008         | DIN 11850 S. 0  | DIN 11850 S. 1  | DIN 11850 S. 2 DIN 11866 S. A | DIN 11850 S. 3  | BS4825           | ASME BPE DIN 11866 S. C |
| 4       |                                      |                  | SC40 - 6.0x1.0  |                 |                               |                 |                  |                         |
| 6       | SA78 - 10.2x1.6                      |                  | SC41 - 8.0x1.0  |                 |                               |                 |                  | SA89 - 3.17x0.56        |
| 8       | SA40 - 13.5x1.6                      |                  | SC42 - 10.0x1.0 |                 |                               |                 | SODB - 6.35x1.2  | SA90 - 6.35x0.89        |
| 10      | SA41 - 17.2x1.6                      |                  |                 | SF40 - 12.0x1.0 | SD40 - 13.0x1.5               | SE40 - 14.0x2.0 |                  | SA91 - 9.53x0.89        |
| 15      | SA42 - 21.3x1.6                      | SA58 - 12.0x1.0  | SC43 - 18.0x1.5 | SF41 - 18.0x1.0 | SD42 - 19.0x1.5               | SE42 - 20.0x2.0 | SODD - 12.7x1.2  | SA92 - 12.7x1.65        |
| 20      | SA43 - 26.9x1.6                      | SA59 - 18.0x1.0  | SC44 - 22.0x1.5 | SF42 - 22.0x1.0 | SD43 - 23.0x1.5               | SE43 - 24.0x2.0 | SODE - 19.05x1.2 | SA93 - 19.05x1.65       |
| 25      | SA44 - 33.7x2.0                      | SA60 - 25.0x1.2  | SC45 - 28.0x1.5 | SF43 - 28.0x1.0 | SD44 - 29.0x1.5               | SE44 - 30.0x2.0 |                  | SODF - 25.4x1.65        |
| 32      | SA45 - 42.4x2.0                      | SA61 - 33.7x1.2  | SC46 - 34.0x1.5 | SF44 - 34.0x1.0 | SD45 - 35.0x1.5               | SE45 - 36.0x2.0 |                  |                         |
| 40      | SA46 - 48.3x2.0                      | SA62 - 38.0x1.2  | SC47 - 40.0x1.5 | SF45 - 40.0x1.0 | SD46 - 41.0x1.5               | SE46 - 42.0x2.0 |                  | SODH - 38.1x1.65        |
| 50      | SA47 - 60.3x2.0                      | SA63 - 51.0x1.2  | SC48 - 52.0x1.5 | SF46 - 52.0x1.0 | SD47 - 53.0x1.5               | SE47 - 54.0x2.0 |                  | SODI - 50.8x1.65        |
| 65      | SA48 - 76.1x2.0                      | SA64 - 63.5x1.6  |                 |                 | SD48 - 70.0x2.0               |                 |                  | SODJ - 63.5x1.65        |
| 80      | SA49 - 88.9x2.3                      | SA65 - 76.1x1.6  |                 |                 | SD49 - 85.0x2.0               |                 |                  | SODK - 76.2x1.65        |
| 100     | SA39 - 114.3x2.3                     | SA66 - 101.6x2.0 |                 |                 | SD50 - 104.0x2.0              |                 |                  | SODL - 101.6x2.11       |

| DN [mm] | Port connection Clamp                               |                                      |                                     |                             |   |
|---------|---|--------------------------------------|-------------------------------------|-----------------------------|---|
|         | Clamp 34.0 like DIN 32676 S. B (ISO-tube (ISO4200)) | DIN 32676 S. A (DIN-tube (DIN11850)) | DIN 32676 S. B (ISO-tube (ISO4200)) | ASME BPE                    | BS 4825 (Clamp BS 4825-3, tube BS 4825-1) |
| 8       | TC51 - 13.5x1.6 Ci: 34.0                            | TD40 - 10.0x1.0 Ci: 25.0             | TC40 - 13.5x1.6 Ci: 25.0            | TG50 - 6.35x0.89 Ci: 25.0   |   |
| 10      | TC41 - 17.2x1.6 Ci: 34.0                            | TD41 - 13.0x1.5 Ci: 34.0             | TC53 - 17.2x1.6 Ci: 25.0            | TG01 - 9.53x0.89 Ci: 25.0   |   |
| 15      | TC42 - 21.3x1.6 Ci: 34.0                            | TD42 - 19.0x1.5 Ci: 34.0             | TC52 - 21.3x1.6 Ci: 50.5            | TG02 - 12.7x1.65 Ci: 25.0   | TH42 - 12.7x1.2 Ci: 25.0                  |
| 20      |   | TD43 - 23.0x1.5 Ci: 34.0             | TC43 - 26.9x1.6 Ci: 50.5            | TG03 - 19.05x1.65 Ci: 25.0  | TH43 - 19.05x1.2 Ci: 25.0                 |
| 25      |   | TD44 - 29.0x1.5 Ci: 50.5             | TC44 - 33.7x2.0 Ci: 50.5            | TG04 - 25.4x1.65 Ci: 50.5   |   |
| 32      |   |                                      |                                     |                             |   |
| 40      |   | TD46 - 41.0x1.5 Ci: 50.5             | TC46 - 48.3x2.0 Ci: 64.0            | TG05 - 38.1x1.65 Ci: 50.5   |   |
| 50      |   | TD47 - 53.0x1.5 Ci: 64.0             | TC47 - 60.3x2.0 Ci: 77.5            | TG06 - 50.8x1.65 Ci: 64.0   |   |
| 65      |   |                                      | TC48 - 76.1x2.0 Ci: 91.0            | TG07 - 63.5x1.65 Ci: 77.5   |   |
| 80      |   |                                      | TC49 - 88.9x2.3 Ci: 106.0           | TG08 - 76.2x1.65 Ci: 91.0   |   |
| 100     |   |                                      | TC50 - 114.3x2.3 Ci: 130.0          | TG09 - 101.6x2.11 Ci: 119.0 |   |

In case of special application conditions, please consult for advice.

Subject to alteration.  
© Christian Bürkert GmbH & Co. KG

1408/3\_EU-en\_00895244