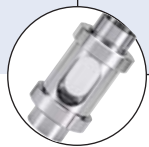


## Aseptic clamp connection



- Design acc. to DIN 11864-3
- All medium contact materials traceable

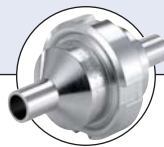
Hygienic Processing components.....



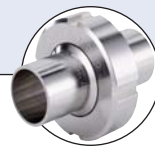
**Type BBS-3F**  
Flow indicator



**Type BBS-04**  
Silicone hose



**Type BBS-10**  
Check valve



**Type BBS-03**  
Sterile threaded connection



**Type BBS-06**  
Sterile orbital flange



**Type 2103**  
Diaphragm valve

The aseptic clamp connection is widely used in hygienic processing applications.

The design comprises of a male and female ferrule and an O-Ring assembled using standard clamp ring. The solution is available to suit all common pipe standards-

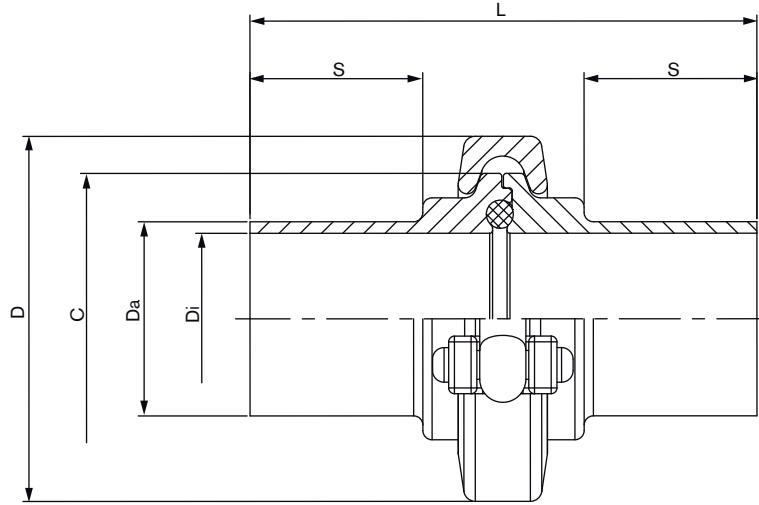
A choice of O-Ring material is available.

### Application

- Biotechnology
- Pharmaceutical
- Chemical industry
- Dairy
- Food
- Cosmetic

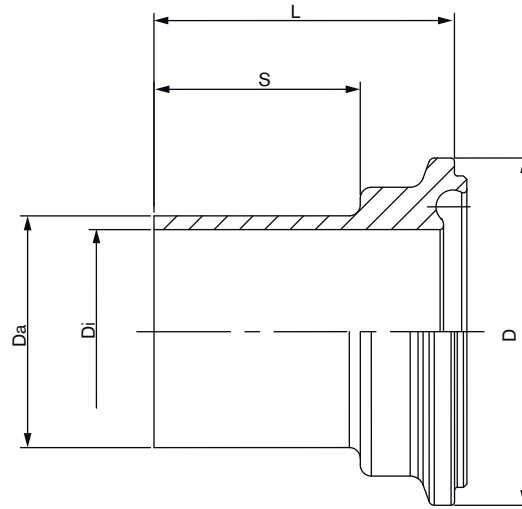
Technical data	
<b>Available standard sizes</b>	ISO DN08 to DN80 DIN DN10 to DN100 BS-OD DN1/2" to DN4"
<b>Material medium contact</b>	Stainless steel 1.4435 BN2 (316L) Special materials e.g. Hastelloy 2.4602, Titanium, 1.4539 etc. on request
<b>Material medium separated</b>	1.4305 or equivalent
<b>Connection</b>	Standard clamp
<b>Seals</b>	O-Ring, EPDM, FEP, special sealing materials e.g. Silicone, pure PTFE etc. on request
<b>Surface quality</b>	Medium contacted surface < Ra 0,8µm, electro polished, finer surface on request
<b>Operating temperature</b>	EPDM seal material: -40°C to 90°C, temporary to 140°C FEP seal material: -60°C to 160°C, temporary to 205°C
<b>Ambient temperature</b>	-20 to +80 °C
<b>Media</b>	Gases or liquids
<b>Operating pressure</b>	ISO DN08 to DN25 = 40 bar ISO DN32 to DN80 = 25 bar DIN DN10 to DN40 = 40 bar DIN DN50 to DN100 = 25 bar BS-OD DN1/2" to DN1 1/2" = 40 bar BS-OD DN2" to DN4" = 25 bar
<b>Applicable standards</b>	Pipe connection acc. to DIN 11866 ISO-Dimensions Series B (ISO 4200) DIN-Dimensions Series A (DIN 11850) BS-OD-Dimensions Series C (ASME BPE) Seal part acc. DIN 11864-3, Form A
<b>Certifications</b>	Material 3.1, FDA, USP VI

**Dimensions [mm] Aseptic clamp connection acc. to DIN 11864-3**



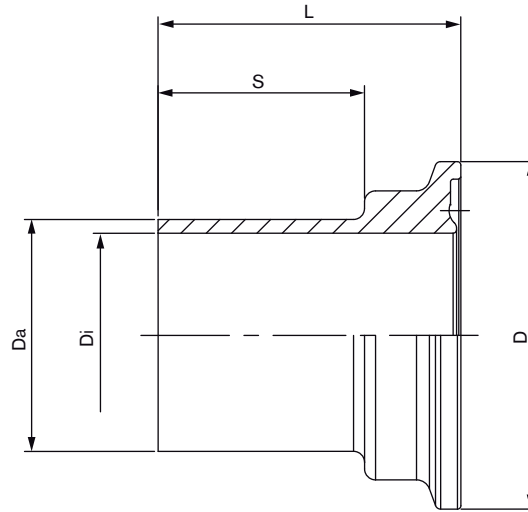
Orifice	D [mm]	C [mm]	Da [mm]	Di [mm]	L [mm]	S [mm]	Item no. EPDM	Item no. FEP
<b>ISO Dimensions Aseptic clamp connection</b>								
DN08	46.00	34.00	13.50	10.30	76.00	26.00	BBS-05-AA.U08.64A.35.0 (730 645)	BBS-05-AA.U08.64A.35.3 (730 646)
DN10	46.00	34.00	17.20	14.00	76.00	26.00	BBS-05-AA.U10.64A.35.0 (730 654)	BBS-05-AA.U10.64A.35.3 (730 656)
DN15	46.00	34.00	21.30	18.10	78.00	26.00	BBS-05-AA.U15.64A.35.0 (730 674)	BBS-05-AA.U15.64A.35.3 (730 676)
DN20	66.50	50.50	26.90	23.70	78.00	30.00	BBS-05-AA.U20.64A.35.0 (730 687)	BBS-05-AA.U20.64A.35.3 (730 689)
DN25	66.50	50.50	33.70	29.70	88.00	30.00	BBS-05-AA.U25.64A.35.0 (730 697)	BBS-05-AA.U25.64A.35.3 (730 699)
DN32	82.00	64.00	42.40	38.40	88.00	30.00	BBS-05-AA.U32.64A.35.0 (730 709)	BBS-05-AA.U32.64A.35.3 (730 710)
DN40	82.00	64.00	48.30	44.30	90.00	30.00	BBS-05-AA.U40.64A.35.0 (730 716)	BBS-05-AA.U40.64A.35.3 (730 718)
DN50	102.00	91.00	60.30	56.30	114.00	40.00	BBS-05-AA.U50.64A.35.0 (730 726)	BBS-05-AA.U50.64A.35.3 (730 728)
DN65	116.00	106.00	76.10	72.10	117.00	40.00	BBS-05-AA.U65.64A.35.0 (730 734)	BBS-05-AA.U65.64A.35.3 (730 736)
DN80	131.00	119.00	88.90	84.30	122.00	40.00	BBS-05-AA.U80.64A.35.0 (730 742)	BBS-05-AA.U80.64A.35.3 (730 744)
<b>DIN Dimensions Aseptic clamp connection</b>								
DN10	46.00	34.00	12.00	10.00	76.00	26.00	BBS-05-AA.X10.64A.35.0 (730 761)	BBS-05-AA.X10.64A.35.3 (730 763)
DN10	46.00	34.00	13.00	10.00	76.00	26.00	BBS-05-AA.X10.64A.35.0-1 (743 410)	BBS-05-AA.D10.64A.35.3-1 (743 411)
DN15	46.00	34.00	19.00	16.00	76.00	26.00	BBS-05-AA.X15.64A.35.0 (730 777)	BBS-05-AA.X15.64A.35.3 (730 779)
DN20	66.50	50.50	23.00	20.00	76.00	26.00	BBS-05-AA.X20.64A.35.0 (730 785)	BBS-05-AA.X20.64A.35.3 (730 787)
DN25	66.50	50.50	29.00	26.00	77.00	28.00	BBS-05-AA.X25.64A.35.0 (730 793)	BBS-05-AA.X25.64A.35.3 (730 795)
DN32	66.50	50.50	35.00	32.00	88.00	30.00	BBS-05-AA.X32.64A.35.0 (730 802)	BBS-05-AA.X32.64A.35.3 (730 804)
DN40	82.00	64.00	41.00	38.00	88.00	30.00	BBS-05-AA.X40.64A.35.0 (730 810)	BBS-05-AA.X40.64A.35.3 (730 812)
DN50	93.00	77.50	53.00	50.00	89.00	30.00	BBS-05-AA.X50.64A.35.0 (730 818)	BBS-05-AA.X50.64A.35.3 (730 820)
DN65	102.00	91.00	70.00	66.00	113.00	40.00	BBS-05-AA.X65.64A.35.0 (730 826)	BBS-05-AA.X65.64A.35.3 (730 828)
DN80	116.00	106.00	85.00	81.00	117.00	40.00	BBS-05-AA.X80.64A.35.0 (730 834)	BBS-05-AA.X80.64A.35.3 (730 836)
DN100	141.00	130.00	104.00	100.00	120.00	40.00	BBS-05-AA.X100.64A.35.0 (730 769)	BBS-05-AA.X100.64A.35.3 (730 771)
<b>BS-OD Dimensions Aseptic clamp connection</b>								
DN1/2"	46.00	34.00	12.70	9.40	76.00	26.00	BBS-05-AA.Q05.64A.35.0 (730 580)	BBS-05-AA.Q05.64A.35.3 (730 582)
DN3/4"	46.00	34.00	19.05	15.75	76.00	26.00	BBS-05-AA.Q07.64A.35.0 (730 588)	BBS-05-AA.Q07.64A.35.3 (735 590)
DN1"	66.50	50.50	25.40	22.10	77.00	28.00	BBS-05-AA.Q10.64A.35.0 (730 596)	BBS-05-AA.Q10.64A.35.3 (730 598)
DN1 1/2"	82.00	64.00	38.10	34.80	88.00	30.00	BBS-05-AA.Q15.64A.35.0 (730 603)	BBS-05-AA.Q15.64A.35.3 (730 605)
DN2"	93.00	77.50	50.80	47.50	89.00	30.00	BBS-05-AA.Q20.64A.35.0 (730 611)	BBS-05-AA.Q20.64A.35.3 (730 613)
DN2 1/2"	102.00	91.00	63.50	60.20	115.00	40.00	BBS-05-AA.Q25.64A.35.0 (730 619)	BBS-05-AA.Q25.64A.35.3 (730 621)
DN3"	116.00	106.00	76.20	72.90	117.00	40.00	BBS-05-AA.Q30.64A.35.0 (730 627)	BBS-05-AA.Q30.64A.35.3 (730 629)
DN4"	141.00	130.00	101.60	97.38	119.00	40.00	BBS-05-AA.Q40.64A.35.0 (730 635)	BBS-05-AA.Q40.64A.35.3 (730 637)

**Dimensions [mm] Aseptic female ferrule**



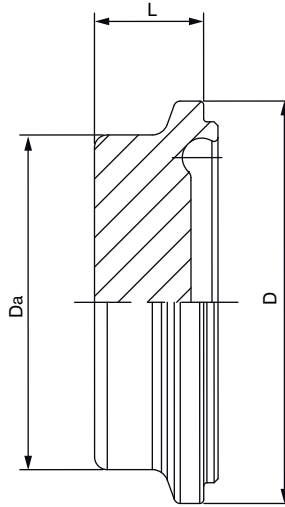
Orifice	D [mm]	Da [mm]	Di [mm]	L [mm]	S [mm]	Item no.	
<b>ISO Dimensions Aseptic female ferrule</b>							
DN08	34.00	13.50	10.30	37.70	26.00	BBS-05-A3.U08.64A.35.0	(730 292)
DN10	34.00	17.20	14.00	37.70	26.00	BBS-05-A3.U10.64A.35.0	(730 296)
DN15	34.00	21.30	18.10	38.70	26.00	BBS-05-A3.U15.64A.35.0	(730 306)
DN20	50.50	26.90	23.70	38.20	30.00	BBS-05-A3.U20.64A.35.0	(730 316)
DN25	50.50	33.70	29.70	43.70	30.00	BBS-05-A3.U25.64A.35.0	(730 320)
DN32	64.00	42.40	38.40	43.70	30.00	BBS-05-A3.U32.64A.35.0	(730 329)
DN40	64.00	48.30	44.30	44.70	30.00	BBS-05-A3.U40.64A.35.0	(730 337)
DN50	91.00	60.30	56.30	56.70	40.00	BBS-05-A3.U50.64A.35.0	(730 343)
DN65	106.00	76.10	72.10	58.20	40.00	BBS-05-A3.U65.64A.35.0	(730 347)
DN80	119.00	88.90	84.30	60.70	40.00	BBS-05-A3.U80.64A.35.0	(730 351)
<b>DIN Dimensions Aseptic female ferrule</b>							
DN10	34.00	12.00	10.00	37.70	26.00	BBS-05-A3.X10.64A.35.0	(730 362)
DN10	34.00	13.00	10.00	37.70	26.00	BBS-05-A3.X10.64A.35.0-1	(743 547)
DN15	34.00	19.00	16.00	37.70	26.00	BBS-05-A3.X15.64A.35.0	(730 370)
DN20	50.50	23.00	20.00	37.70	26.00	BBS-05-A3.X20.64A.35.0	(742 803)
DN25	50.50	29.00	26.00	38.20	28.00	BBS-05-A3.X25.64A.35.0	(730 376)
DN32	50.50	35.00	32.00	43.70	30.00	BBS-05-A3.X32.64A.35.0	(743 548)
DN40	64.00	41.00	38.00	44.20	30.00	BBS-05-A3.X40.64A.35.0	(730 384)
DN50	77.50	53.00	50.00	45.20	30.00	BBS-05-A3.X50.64A.35.0	(730 388)
DN65	91.00	70.00	66.00	56.20	40.00	BBS-05-A3.X65.64A.35.0	(on request)
DN80	106.00	85.00	81.00	58.20	40.00	BBS-05-A3.X80.64A.35.0	(730 394)
DN100	130.00	104.00	100.00	59.70	40.00	BBS-05-A3.X100.64A.35.0	(on request)
<b>BS-OD Dimensions Aseptic female ferrule</b>							
DN1/2"	34.00	12.70	9.40	37.70	26.00	BBS-05-A3.Q05.64A.35.0	(730 265)
DN3/4"	34.00	19.05	15.75	37.70	26.00	BBS-05-A3.Q07.64A.35.0	(730 269)
DN1"	50.50	25.40	22.10	38.20	28.00	BBS-05-A3.Q10.64A.35.0	(730 272)
DN1 1/2"	64.00	38.10	34.80	43.70	30.00	BBS-05-A3.Q15.64A.35.0	(730 276)
DN2"	77.50	50.80	47.50	44.20	30.00	BBS-05-A3.Q20.64A.35.0	(730 280)
DN2 1/2"	91.00	63.50	60.20	57.20	40.00	BBS-05-A3.Q25.64A.35.0	(730 284)
DN3"	106.00	76.20	72.90	58.20	40.00	BBS-05-A3.Q30.64A.35.0	(730 288)
DN4"	130.00	101.60	97.38	59.20	40.00	BBS-05-A3.Q40.64A.35.0	(730 290)

**Dimensions [mm] Aseptic male ferrule**



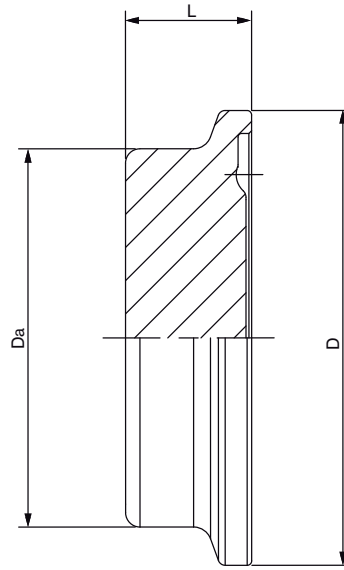
Orifice	D [mm]	Da [mm]	Di [mm]	L [mm]	S [mm]	Item no.	
<b>ISO Dimensions Aseptic male ferrule</b>							
DN08	34.00	13.50	10.30	38.00	26.00	BBS-05-B3.U08.64A.35.0	(730 951)
DN10	34.00	17.20	14.00	38.00	26.00	BBS-05-B3.U10.64A.35.0	(730 957)
DN15	34.00	21.30	18.10	39.00	26.00	BBS-05-B3.U15.64A.35.0	(730 968)
DN20	50.50	26.90	23.70	39.00	30.00	BBS-05-B3.U20.64A.35.0	(730 976)
DN25	50.50	33.70	29.70	44.00	30.00	BBS-05-B3.U25.64A.35.0	(730 984)
DN32	64.00	42.40	38.40	44.00	30.00	BBS-05-B3.U32.64A.35.0	(730 994)
DN40	64.00	48.30	44.30	45.00	30.00	BBS-05-B3.U40.64A.35.0	(731 000)
DN50	91.00	60.30	56.30	57.00	40.00	BBS-05-B3.U50.64A.35.0	(731 007)
DN65	106.00	76.10	72.10	58.50	40.00	BBS-05-B3.U65.64A.35.0	(731 010)
DN80	119.00	88.90	84.30	61.00	40.00	BBS-05-B3.U80.64A.35.0	(731 014)
<b>DIN Dimensions Aseptic male ferrule</b>							
DN10	34.00	12.00	10.00	38.00	26.00	BBS-05-B3.X10.64A.35.0	(731 026)
DN10	34.00	13.00	10.00	38.00	26.00	BBS-05-B3.X10.64A.35.0-1	(on request)
DN15	34.00	19.00	16.00	38.00	26.00	BBS-05-B3.X15.64A.35.0	(731 036)
DN20	50.50	23.00	20.00	38.00	26.00	BBS-05-B3.X20.64A.35.0	(on request)
DN25	50.50	29.00	26.00	38.50	28.00	BBS-05-B3.X25.64A.35.0	(731 040)
DN32	50.50	35.00	32.00	44.00	30.00	BBS-05-B3.X32.64A.35.0	(731 046)
DN40	64.00	41.00	38.00	44.00	30.00	BBS-05-B3.X40.64A.35.0	(731 049)
DN50	77.50	53.00	50.00	44.50	30.00	BBS-05-B2.X50.64A.35.0	(731 053)
DN65	91.00	70.00	66.00	56.50	40.00	BBS-05-B3.X65.64A.35.0	(731 057)
DN80	106.00	85.00	81.00	58.50	40.00	BBS-05-B3.X80.64A.35.0	(731 061)
DN100	130.00	104.00	100.00	60.00	40.00	BBS-05-B3.X100.64A.35.0	(on request)
<b>BS OD Dimensions Aseptic male ferrule</b>							
DN1 1/2"	34.00	12.70	9.40	38.00	26.00	BBS-05-B3.Q05.64A.35.0	(730 922)
DN3/4"	34.00	19.05	15.75	38.00	26.00	BBS-05-B3.Q07.64A.35.0	(730 925)
DN1"	50.50	25.40	22.10	38.50	28.00	BBS-05-B3.Q10.64A.35.0	(730 929)
DN1 1/2"	64.00	38.10	34.80	44.00	30.00	BBS-05-B3.Q15.64A.35.0	(730 933)
DN2"	77.50	50.80	47.50	44.50	30.00	BBS-05-B3.Q20.64A.35.0	(730 937)
DN2 1/2"	91.00	63.50	60.20	57.50	40.00	BBS-05-B3.Q25.64A.35.0	(730 941)
DN3"	106.00	76.20	72.90	58.50	40.00	BBS-05-B3.Q30.64A.35.0	(730 945)
DN4"	130.00	101.60	97.38	59.50	40.00	BBS-05-B3.Q40.64A.35.0	(730 947)

**Dimensions [mm] Aseptic female ferrule blind cover**



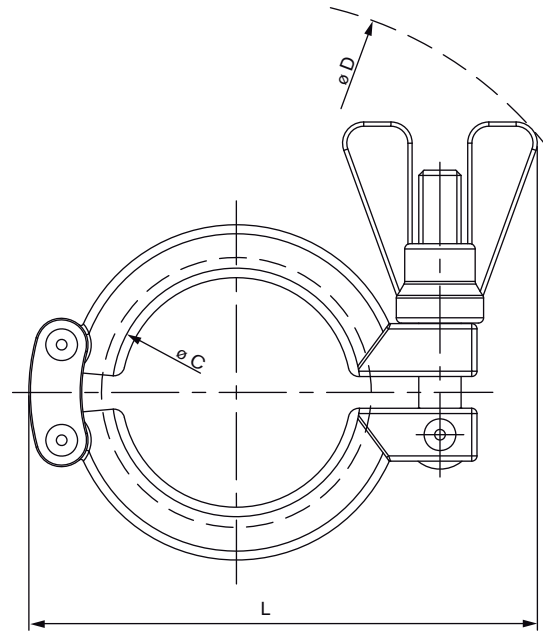
Orifice	D [mm]	Da [mm]	L [mm]	Item no.	
<b>ISO Dimensions Aseptic female ferrule blind cover</b>					
DN08	34.00	25.00	11.70	BBS-05-F0.U08.64A.35.0	(731 278)
DN10	34.00	25.00	11.70	BBS-05-F0.U10.64A.35.0	(731 282)
DN15	34.00	25.00	12.70	BBS-05-F0.U15.64A.35.0	(731 290)
DN20	50.50	42.00	8.20	BBS-05-F0.U20.64A.35.0	(731 294)
DN25	50.50	42.00	13.70	BBS-05-F0.U25.64A.35.0	(731 300)
DN32	64.00	54.00	13.70	BBS-05-F0.U32.64A.35.0	(731 303)
DN40	64.00	54.00	14.70	BBS-05-F0.U40.64A.35.0	(731 309)
DN50	91.00	78.00	16.70	BBS-05-F0.U50.64A.35.0	(731 313)
DN65	106.00	93.00	18.20	BBS-05-F0.U65.64A.35.0	(731 317)
DN80	119.00	104.00	20.70	BBS-05-F0.U80.64A.35.0	(731 321)
<b>DIN Dimensions Aseptic female ferrule blind cover</b>					
DN10	34.00	25.00	11.70	BBS-05-F0.X10.64A.35.0	(731 329)
DN15	34.00	25.00	11.70	BBS-05-F0.X15.64A.35.0	(731 331)
DN20	50.50	42.00	11.70	BBS-05-F0.X20.64A.35.0	(on request)
DN25	50.50	42.00	10.20	BBS-05-F0.X25.64A.35.0	(731 333)
DN32	50.50	42.00	13.70	BBS-05-F0.X32.64A.35.0	(on request)
DN40	64.00	54.00	14.20	BBS-05-F0.X40.64A.35.0	(on request)
DN50	77.50	62.00	15.20	BBS-05-F0.X50.64A.35.0	(731 337)
DN65	91.00	78.00	16.20	BBS-05-F0.X65.64A.35.0	(on request)
DN80	106.00	93.00	18.20	BBS-05-F0.X80.64A.35.0	(on request)
DN100	130.00	115.00	19.7.00	BBS-05-F0.X100.64A.35.0	(on request)
<b>BS-OD Dimensions Aseptic female ferrule blind cover</b>					
DN1/2"	34.00	25.00	11.70	BBS-05-F0.Q05.64A.35.0	(on request)
DN3/4"	34.00	25.00	11.70	BBS-05-F0.Q07.64A.35.0	(on request)
DN1"	50.50	42.00	10.20	BBS-05-F0.Q10.64A.35.0	(on request)
DN1 1/2"	64.00	54.00	13.70	BBS-05-F0.Q15.64A.35.0	(on request)
DN2"	77.50	62.00	14.20	BBS-05-F0.Q20.64A.35.0	(on request)
DN2 1/2"	91.00	78.00	17.20	BBS-05-F0.Q25.64A.35.0	(on request)
DN3"	106.00	93.00	18.20	BBS-05-F0.Q30.64A.35.0	(on request)
DN4"	130.00	114.20	19.20	BBS-05-F0.Q40.64A.35.0	(on request)

**Dimensions [mm] Aseptic male ferrule blind cover**



Orifice	D [mm]	Da [mm]	L [mm]	Item no.	
<b>ISO Dimensions Aseptic male ferrule blind cover</b>					
DN08	34.00	25.00	12.00	BBS-05-G0.U08.64A.35.0	(731 349)
DN10	34.00	25.00	12.00	BBS-05-G0.U10.64A.35.0	(731 352)
DN15	34.00	25.00	13.00	BBS-05-G0.U15.64A.35.0	(731 362)
DN20	50.50	42.00	9.00	BBS-05-G0.U20.64A.35.0	(731 366)
DN25	50.50	42.00	14.00	BBS-05-G0.U25.64A.35.0	(731 372)
DN32	64.00	54.00	14.00	BBS-05-G0.U32.64A.35.0	(731 376)
DN40	64.00	54.00	15.00	BBS-05-G0.U40.64A.35.0	(731 382)
DN50	91.00	78.00	17.00	BBS-05-G0.U50.64A.35.0	(731 386)
DN65	106.00	93.00	18.50	BBS-05-G0.U65.64A.35.0	(731 390)
DN80	119.00	104.00	21.00	BBS-05-G0.U80.64A.35.0	(731 394)
<b>DIN Dimensions Aseptic male ferrule blind cover</b>					
DN10	34.00	25.00	12.00	BBS-05-G0.X10.64A.35.0	(on request)
DN15	34.00	25.00	12.00	BBS-05-G0.X15.64A.35.0	(on request)
DN20	50.50	42.00	12.00	BBS-05-G0.X20.64A.35.0	(on request)
DN25	50.50	42.00	10.50	BBS-05-G0.X25.64A.35.0	(on request)
DN32	50.50	42.00	14.00	BBS-05-G0.X32.64A.35.0	(on request)
DN40	64.00	54.00	14.00	BBS-05-G0.X40.64A.35.0	(731 403)
DN50	77.50	62.00	14.50	BBS-05-G0.X50.64A.35.0	(on request)
DN65	91.00	78.00	16.50	BBS-05-G0.X65.64A.35.0	(on request)
DN80	106.00	93.00	18.50	BBS-05-G0.X80.64A.35.0	(on request)
DN100	130.00	115.00	20.00	BBS-05-G0.X100.64A.35.0	(on request)
<b>BS-OD Dimensions Aseptic male ferrule blind cover</b>					
DN1/2"	34.00	25.00	12.00	BBS-05-G0.Q05.64A.35.0	(on request)
DN3/4"	34.00	25.00	12.00	BBS-05-G0.Q07.64A.35.0	(on request)
DN1"	50.50	42.00	10.50	BBS-05-G0.Q10.64A.35.0	(on request)
DN1 1/2"	64.00	54.00	14.00	BBS-05-G0.Q15.64A.35.0	(on request)
DN2"	77.50	62.00	14.50	BBS-05-G0.Q20.64A.35.0	(on request)
DN2 1/2"	91.00	78.00	17.50	BBS-05-G0.Q25.64A.35.0	(on request)
DN3"	106.00	93.00	18.50	BBS-05-G0.Q30.64A.35.0	(on request)
DN4"	130.00	114.20	59.50	BBS-05-G0.Q40.64A.35.0	(on request)

**Dimensions [mm] Clamp acc. to DIN 11864-3**



Orifice	C [mm]	D [mm]	L [mm]	Item no.	
<b>ISO Dimensions Clamp acc. to DIN 11864-3</b>					
DN08	34,00	130,00	68,00	BBS-05-C7.U10.U00.01.0	(731 150)
DN10	34,00	130,00	68,00	BBS-05-C7.U10.U00.01.0	(731 150)
DN15	34,00	130,00	68,00	BBS-05-C7.U10.U00.01.0	(731 150)
DN20	50,50	154,00	93,00	BBS-05-C7.U25.U00.01.0	(731 164)
DN25	50,50	154,00	93,00	BBS-05-C7.U25.U00.01.0	(731 164)
DN32	64,00	180,00	108,00	BBS-05-C7.U40.U00.01.0	(731 172)
DN40	64,00	180,00	108,00	BBS-05-C7.U40.U00.01.0	(731 172)
DN50	91,00	200,00	139,00	BBS-05-C7.U65.U00.01.0	(731 176)
DN65	106,00	220,00	144,00	BBS-05-C7.U80.U00.01.0	(731 178)
DN80	119,00	240,00	171,00	BBS-05-C7.Q40.U00.01.0	(731 144)
<b>DIN Dimensions Clamp acc. to DIN 11864-3</b>					
DN10	34,00	130,00	68,00	BBS-05-C7.U10.U00.01.0	(731 150)
DN15	34,00	130,00	68,00	BBS-05-C7.U10.U00.01.0	(731 150)
DN20	50,50	154,00	93,00	BBS-05-C7.U25.U00.01.0	(731 164)
DN25	50,50	154,00	93,00	BBS-05-C7.U25.U00.01.0	(731 164)
DN32	50,50	154,00	93,00	BBS-05-C7.U25.U00.01.0	(731 164)
DN40	64,00	180,00	108,00	BBS-05-C7.U40.U00.01.0	(731 172)
DN50	77,50	190,00	125,00	BBS-05-C7.U50.U00.01.0	(731 174)
DN65	91,00	200,00	139,00	BBS-05-C7.U65.U00.01.0	(731 176)
DN80	106,00	220,00	144,00	BBS-05-C7.U80.U00.01.0	(731 178)
DN100	130,00	240,00	171,00	BBS-05-C7.U100.U00.01.0	(731 154)
<b>BS-OD Dimensions Clamp acc. to DIN 11864-3</b>					
DN1/2"	34,00	130,00	68,00	BBS-05-C7.U10.U00.01.0	(731 150)
DN3/4"	34,00	130,00	68,00	BBS-05-C7.U10.U00.01.0	(731 150)
DN1"	50,50	154,00	93,00	BBS-05-C7.U25.U00.01.0	(731 164)
DN1 1/2"	64,00	180,00	108,00	BBS-05-C7.U40.U00.01.0	(731 172)
DN2"	77,50	190,00	125,00	BBS-05-C7.U50.U00.01.0	(731 174)
DN2 1/2"	91,00	200,00	139,00	BBS-05-C7.U65.U00.01.0	(731 176)
DN3"	106,00	220,00	144,00	BBS-05-C7.U80.U00.01.0	(731 178)
DN4"	130,00	240,00	171,00	BBS-05-C7.U100.U00.01.0	(731 154)

**Dimensions [mm] ISO O-Rings for aseptic clamp connection**

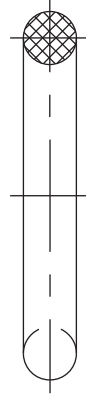


Orifice	Item no. EPDM		Item no. FEP	
<b>ISO O-Rings for aseptic clamp connection</b>				
DN08	BBS-02-01.N08.64.EP.0	(730 993)	BBS-02-01.N08.64.FE.3	(730 995)
DN10	BBS-02-01.N10.64.EP.0	(731 021)	BBS-02-01.N10.64.FE.3	(731 023)
DN15	BBS-02-01.N15.64.EP.0	(731 077)	BBS-02-01.N15.64.FE.3	(731 079)
DN20	BBS-02-01.N20.64.EP.0	(731 118)	BBS-02-01.N20.64.FE.3	(731 120)
DN25	BBS-02-01.N25.64.EP.0	(731 157)	BBS-02-01.N25.64.FE.3	(731 159)
DN32	BBS-02-01.N32.64.EP.0	(731 202)	BBS-02-01.N32.64.FE.3	(731 204)
DN40	BBS-02-01.N40.64.EP.0	(731 232)	BBS-02-01.N40.64.FE.3	(731 234)
DN50	BBS-02-01.N50.64.EP.0	(731 271)	BBS-02-01.N50.64.FE.3	(731 273)
DN65	BBS-02-01.N65.64.EP.0	(731 299)	BBS-02-01.N65.64.FE.3	(731 302)
DN80	BBS-02-01.N80.64.EP.0	(731 324)	BBS-02-01.N80.64.FE.3	(731 326)

Orifice	Item no. Silicone		Item no. FKM	
<b>ISO O-Rings for aseptic clamp connection</b>				
DN08	BBS-02-01.N08.64.SI.1	(730 997)	BBS-02-01.N08.64.VI.2	(on request)
DN10	BBS-02-01.N10.64.SI.1	(731 025)	BBS-02-01.N10.64.VI.2	(on request)
DN15	BBS-02-01.N15.64.SI.1	(731 081)	BBS-02-01.N15.64.VI.2	(on request)
DN20	BBS-02-01.N20.64.SI.1	(731 122)	BBS-02-01.N20.64.VI.2	(on request)
DN25	BBS-02-01.N25.64.SI.1	(731 161)	BBS-02-01.N25.64.VI.2	(on request)
DN32	BBS-02-01.N32.64.SI.1	(731 206)	BBS-02-01.N32.64.VI.2	(on request)
DN40	BBS-02-01.N40.64.SI.1	(731 236)	BBS-02-01.N40.64.VI.2	(on request)
DN50	BBS-02-01.N50.64.SI.1	(731 275)	BBS-02-01.N50.64.VI.2	(on request)
DN65	BBS-02-01.N65.64.SI.1	(731 304)	BBS-02-01.N65.64.VI.2	(on request)
DN80	BBS-02-01.N80.64.SI.1	(731 328)	BBS-02-01.N80.64.VI.2	(on request)



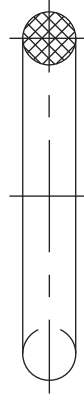
**Dimensions [mm] DIN O-Rings for aseptic clamp connection**



Orifice	Item no. EPDM		Item no. FEP	
<b>DIN O-Rings for aseptic clamp connection</b>				
DN10	BBS-02-01.D10.64.EP.0	(730 383)	BBS-02-01.D10.64.FE.3	(730 385)
DN15	BBS-02-01.D15.64.EP.0	(730 435)	BBS-02-01.D15.64.FE.3	(730 437)
DN20	BBS-02-01.D20.64.EP.0	(730 480)	BBS-02-01.D20.64.FE.3	(730 483)
DN25	BBS-02-01.D25.64.EP.0	(730 515)	BBS-02-01.D25.64.FE.3	(730 517)
DN32	BBS-02-01.D32.64A.EP.0	(730 569)	BBS-02-01.D32.64.FE.3	(730 566)
DN40	BBS-02-01.D40.64A.EP.0	(730 593)	BBS-02-01.D40.64.FE.3	(730 591)
DN50	BBS-02-01.N50.64A.EP.0	(730 624)	BBS-02-01.D50.64A.FE.3	(730 626)
DN65	BBS-02-01.D65.64A.EP.0	(730 655)	BBS-02-01.D65.64A.FE.3	(730 657)
DN80	BBS-02-01.D80.64A.EP.0	(730 692)	BBS-02-01.D80.64A.FE.3	(730 694)
DN100	BBS-02-01.D100.64.EP.0	(730 406)	BBS-02-01.D100.64.FE.3	(730 408)

Orifice	Item no. Silicone		Item no. FKM	
<b>DIN O-Rings for aseptic clamp connection</b>				
DN10	BBS-02-01.D10.64.SI.1	(on request)	BBS-02-01.D10.64.VI.2	(on request)
DN15	BBS-02-01.D15.64.SI.1	(on request)	BBS-02-01.D15.64.VI.2	(on request)
DN20	BBS-02-01.D20.64.SI.1	(on request)	BBS-02-01.D20.64.VI.2	(on request)
DN25	BBS-02-01.D25.64.SI.1	(on request)	BBS-02-01.D25.64.VI.2	(730 519)
DN32	BBS-02-01.D32.64.SI.1	(on request)	BBS-02-01.D32.64.VI.2	(on request)
DN40	BBS-02-01.D40.64.SI.1	(on request)	BBS-02-01.D40.64.VI.2	(on request)
DN50	BBS-02-01.D50.64.SI.1	(on request)	BBS-02-01.D50.64A.VI.2	(730 628)
DN65	BBS-02-01.D65.64.SI.1	(on request)	BBS-02-01.D65.64A.VI.2	(730 659)
DN80	BBS-02-01.D80.64.SI.1	(on request)	BBS-02-01.D80.64.VI.2	(on request)
DN100	BBS-02-01.D100.64.SI.1	(on request)	BBS-02-01.D100.64.VI.2	(on request)

**Dimensions [mm] BS-OD O-Rings for aseptic clamp connection**



Orifice	Item no. EPDM		Item no. FEP	
<b>BS-OD O-Rings for aseptic clamp connection</b>				
DN1/2"	BBS-02-01.K05.64.EP.0	(730 788)	BBS-02-01.K05.64.FE.3	(730 790)
DN3/4"	BBS-02-01.K07.64.EP.0	(730 803)	BBS-02-01.K07.64.FE.3	(730 805)
DN1"	BBS-02-01.K10.64.EP.0	(730 825)	BBS-02-01.K10.64.FE.3	(730 827)
DN1 1/2"	BBS-02-01.K15.64.EP.0	(730 855)	BBS-02-01.K15.64.FE.3	(730 857)
DN2"	BBS-02-01.K20.64.EP.0	(730 878)	BBS-02-01.K20.64.FE.3	(730 880)
DN2 1/2"	BBS-02-01.K25.64.EP.0	(730 903)	BBS-02-01.K25.64.FE.3	(730 905)
DN3"	BBS-02-01.K30.64.EP.0	(730 924)	BBS-02-01.K30.64.FE.3	(730 926)
DN4"	BBS-02-01.K40.64.EP.0	(730 946)	BBS-02-01.K40.64.FE.3	(730 948)

Orifice	Item no. Silicone		Item no. FKM	
<b>BS-OD O-Rings for aseptic clamp connection</b>				
DN1/2"	BBS-02-01.K05.64.SI.1	(on request)	BBS-02-01.K05.64.VI.2	(on request)
DN3/4"	BBS-02-01.K07.64.SI.1	(on request)	BBS-02-01.K07.64.VI.2	(on request)
DN1"	BBS-02-01.K10.64.SI.1	(on request)	BBS-02-01.K10.64.VI.2	(743 876)
DN1 1/2"	BBS-02-01.K15.64.SI.1	(on request)	BBS-02-01.K15.64.VI.2	(on request)
DN2"	BBS-02-01.K20.64.SI.1	(on request)	BBS-02-01.K20.64.VI.2	(730 882)
DN2 1/2"	BBS-02-01.K25.64.SI.1	(on request)	BBS-02-01.K25.64.VI.2	(on request)
DN3"	BBS-02-01.K30.64.SI.1	(on request)	BBS-02-01.K30.64.VI.2	(730 928)
DN4"	BBS-02-01.K40.64.SI.1	(on request)	BBS-02-01.K40.64.VI.2	(on request)

To find your nearest Bürkert facility, click on the orange box → [www.burkert.com](http://www.burkert.com)

In case of special application conditions,  
 please consult for advice.

Subject to alteration.  
 © Christian Bürkert GmbH & Co. KG

1203/0\_EU-en\_00895185