

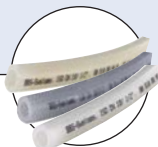
Sterile orbital Quick Connect



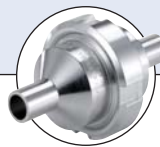
Hygienic Processing components....



Type BBS-3F
Flow indicator



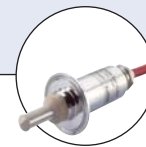
Type BBS-04
Silicone hose



Type BBS-10
Check valve



Type 2103
Diaphragm valve



Type 8221
Conductivity sensor



Type 8650
Process automation

- Optimum design according to recommendation of the ASME BPE directives
- Guaranteed crevice free
- All medium contact materials traceable, traceable seal on request
- Component of the BBS modular system

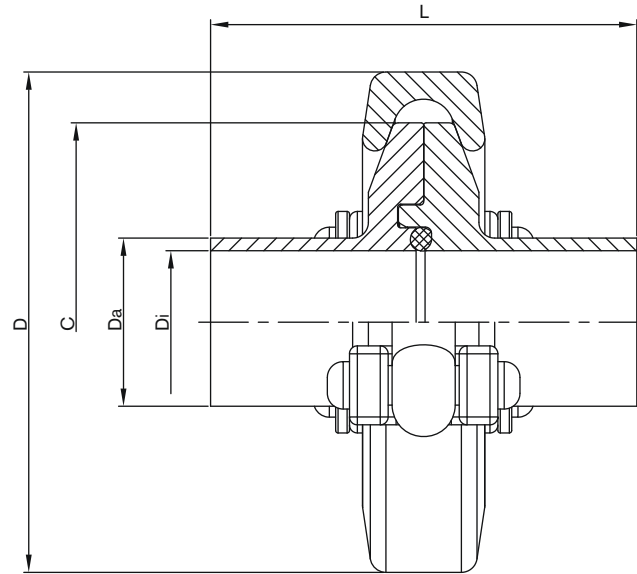
The BBS Sterile Quick Connect is a crevice free connection which has been developed with sterile applications firmly in the mind. It is available in virtually all sizes, standards and configurations it means you can optimize conditions inside your process whilst you are maintaining security on the outside according to different requirements. In addition to the Quick Connect we offer sterile unions (threaded connections -Type BBS-03) and sterile flanged connections (Type BBS-06) for maximum security. The design incorporates use of a standard dimension O-Ring which gives flexibility of material choice.

Technical data	
Available standard sizes	ISO DN08 to DN100 SMS DN15 to DN100 BS-OD DN1/4" to DN4" DIN DN04 to DN100 Customized on request
Material medium contact	Stainless steel 1.4435 BN2 (316L) Special materials e.g. Hastelloy 2.4602, Titanium, 1.4539 etc. on request
Material medium separated	1.4305 or equivalent
Connection	Standard clamp
Seals	O-Ring, EPDM, FEP, special sealing materials e.g. Silicone, pure PTFE etc. on request
Surface quality	Medium contacted surface < Ra 0,8µm, electro polished, finer surface on request
Operating temperature	EPDM seal material: -40°C to 90°C, temporary to 140°C FEP seal material: -60°C to 160°C, temporary to 205°C
Ambient temperature	-20 to +80 °C
Media	Gases or liquids
Operating pressure	-1 to +16 bar (depending on the temperature)
Applicable standards	Pipe connection acc. to DIN 11866 ISO dimensions series B (ISO 4200) BS-OD dimensions series C (ASME BPE) DIN dimensions series A (DIN 11850) SMS dimensions SMS 3008
Certifications	Material 3.1, FDA, USP VI

Applications

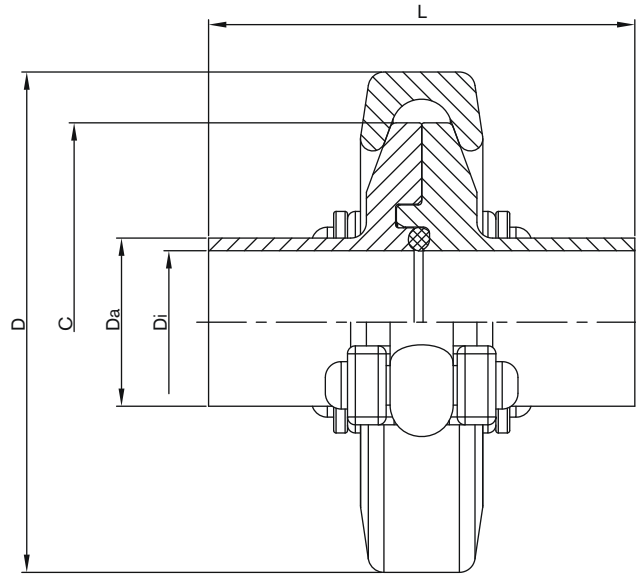
- Biotechnology
- Pharmaceutical
- Chemical industry
- Dairy
- Food
- Cosmetic

Dimensions [mm] Sterile Quick Connect



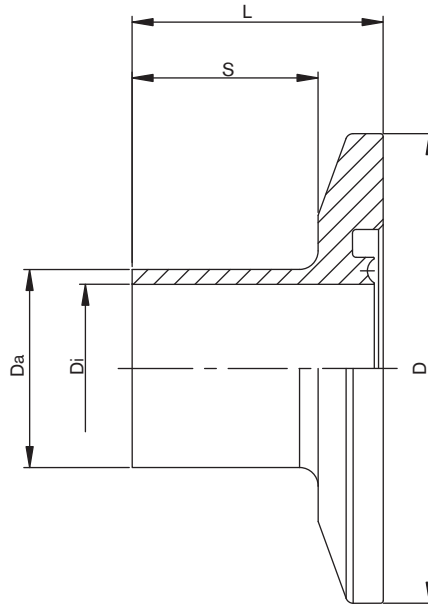
Orifice	C [mm]	D [mm]	Da [mm]	Di [mm]	L [mm]	Item no. EPDM	Item no. FEP
ISO Dimensions Sterile Quick Connect							
DN08	25.00	41.00	13.50	10.30	54.00	BBS-05-AA.U08.U00.35.0 (730 648)	BBS-05-AA.U08.U00.35.3 (730 650)
DN10	50.50	41.00	17.20	14.00	54.00	BBS-05-AA.U10.U00.35.0 (730 658)	BBS-05-AA.U10.U00.35.3 (730 660)
DN15	50.50	72.00	21.30	18.10	54.00	BBS-05-AA.U15.U00.35.0 (730 679)	BBS-05-AA.U15.U00.35.3 (730 683)
DN20	50.50	72.00	26.90	23.70	54.00	BBS-05-AA.U20.U00.35.0 (730 693)	BBS-05-AA.U20.U00.35.3 (730 695)
DN25	50.50	72.00	33.70	29.70	54.00	BBS-05-AA.U25.U00.35.0 (730 703)	BBS-05-AA.U25.U00.35.3 (730 707)
DN32	64.00	87.00	42.40	38.40	60.00	BBS-05-AA.U32.U00.35.0 (730 712)	BBS-05-AA.U32.U00.35.3 (730 714)
DN40	64.00	87.00	48.30	44.30	60.00	BBS-05-AA.U40.U00.35.0 (730 722)	BBS-05-AA.U40.U00.35.3 (730 724)
DN50	77.50	99.00	60.30	56.30	60.00	BBS-05-AA.U50.U00.35.0 (730 730)	BBS-05-AA.U50.U00.35.3 (730 732)
DN65	91.00	113.00	76.10	72.10	60.00	BBS-05-AA.U65.U00.35.0 (730 738)	BBS-05-AA.U65.U00.35.3 (730 740)
DN80	106.00	127.00	88.90	84.30	60.00	BBS-05-AA.U80.U00.35.0 (730 748)	BBS-05-AA.U80.U00.35.3 (on request)
DN100	144.50	169.00	114.30	109.70	60.00	BBS-05-AA.U100.U00.35.0 (730 666)	BBS-05-AA.U100.U00.35.3 (730 668)
SMS Dimensions Sterile Quick Connect							
DN06	25.00	41.00	8.00	6.00	54.00	BBS-05-AA.X06.X00.35.0 (730 753)	BBS-05-AA.X06.X00.35.3 (730 755)
DN08	25.00	41.00	10.00	8.00	54.00	BBS-05-AA.X08.X00.35.0 (730 757)	BBS-05-AA.X08.X00.35.3 (730 759)
DN10	25.00	41.00	12.00	10.00	54.00	BBS-05-AA.X10.X00.35.0 (730 765)	BBS-05-AA.X10.X00.35.3 (730 767)
DN15	50.50	72.00	18.00	16.00	54.00	BBS-05-AA.L15.L00.35.0 (730 545)	BBS-05-AA.L15.L00.35.3 (730 547)
DN20	50.50	72.00	23.00	20.00	54.00	BBS-05-AA.L20.L00.35.0 (730 549)	BBS-05-AA.L20.L00.35.3 (730 551)
DN25	50.50	72.00	25.00	22.60	54.00	BBS-05-AA.L25.L00.35.0 (730 553)	BBS-05-AA.L25.L00.35.3 (730 555)
DN32	64.00	87.00	32.00	29.60	60.00	BBS-05-AA.L32.L00.35.0 (730 557)	BBS-05-AA.L32.L00.35.3 (730 559)
DN40	64.00	87.00	38.00	35.60	60.00	BBS-05-AA.L40.L00.35.0 (730 563)	BBS-05-AA.L40.L00.35.3 (on request)
DN50	77.50	99.00	51.00	48.60	60.00	BBS-05-AA.L50.L00.35.0 (730 567)	BBS-05-AA.L50.L00.35.3 (on request)
DN65	91.00	113.00	63.50	60.30	60.00	BBS-05-AA.L65.L00.35.0 (730 570)	BBS-05-AA.L65.L00.35.3 (on request)
DN80	106.00	127.00	76.10	72.90	60.00	BBS-05-AA.L80.L00.35.0 (730 574)	BBS-05-AA.L80.L00.35.3 (on request)
DN100	144.50	169.00	101.60	97.60	60.00	BBS-05-AA.L100.L00.35.0 (on request)	BBS-05-AA.L100.L00.35.3 (on request)

Dimensions [mm] Sterile Quick Connect, continued



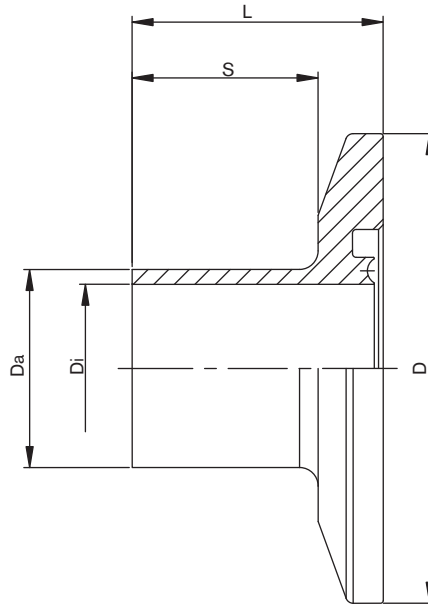
Orifice	C [mm]	D [mm]	Da [mm]	Di [mm]	L [mm]	Item no. EPDM		Item no. FEP	
BS-OD Dimensions Sterile Quick Connect									
DN1/4"	25.00	41.00	6.35	4.57	54.00	BBS-05-AA.Q02.Q00.35.0	(730 576)	BBS-05-AA.Q02.Q00.35.3	(730 578)
DN3/8"	25.00	41.00	9.53	7.75	54.00	BBS-05-AA.Q03.Q00.35.0	(743 032)	BBS-05-AA.Q03.Q00.35.3	(743 033)
DN1/2"	25.00	41.00	12.70	9.40	54.00	BBS-05-AA.Q05.Q00.35.0	(730 584)	BBS-05-AA.Q05.Q00.35.3	(730 586)
DN3/4"	25.00	41.00	19.05	15.75	54.00	BBS-05-AA.Q07.Q00.35.0	(730 592)	BBS-05-AA.Q07.Q00.35.3	(730 594)
DN1"	50.50	72.00	25.40	22.10	54.00	BBS-05-AA.Q10.Q00.35.0	(730 600)	BBS-05-AA.Q10.Q00.35.3	(730 602)
DN1 1/2"	50.50	72.00	38.10	34.80	54.00	BBS-05-AA.Q15.Q00.35.0	(730 607)	BBS-05-AA.Q15.Q00.35.3	(730 609)
DN2"	64.00	87.00	50.80	47.50	54.00	BBS-05-AA.Q20.Q00.35.0	(730 615)	BBS-05-AA.Q20.Q00.35.3	(730 617)
DN2 1/2"	77.50	99.00	63.50	60.20	54.00	BBS-05-AA.Q25.Q00.35.0	(730 623)	BBS-05-AA.Q25.Q00.35.3	(730 625)
DN3"	91.00	113.00	76.20	72.90	60.00	BBS-05-AA.Q30.Q00.35.0	(730 631)	BBS-05-AA.Q30.Q00.35.3	(730 633)
DN4"	119.00	140.00	101.60	97.38	60.00	BBS-05-AA.Q40.Q00.35.0	(730 639)	BBS-05-AA.Q40.Q00.35.3	(730 641)
DIN Dimensions Sterile Quick Connect									
DN04	25.00	41.00	6.00	4.00	54.00	BBS-05-AA.X04.X00.35.0	(730 749)	BBS-05-AA.X04.X00.35.3	(730 751)
DN06	25.00	41.00	8.00	6.00	54.00	BBS-05-AA.X06.X00.35.0	(730 753)	BBS-05-AA.X06.X00.35.3	(730 755)
DN08	25.00	41.00	10.00	8.00	54.00	BBS-05-AA.X08.X00.35.0	(730 757)	BBS-05-AA.X08.X00.35.3	(730 759)
DN10	50.50	55.00	12.00	10.00	54.00	BBS-05-AA.X10.X00.35.0	(730 765)	BBS-05-AA.X10.X00.35.3	(730 767)
DN10	50.50	55.00	13.00	10.00	54.00	BBS-05-AA.X10.X00.35.0-1	(on request)	BBS-05-AA.X10.X00.35.35-1	(on request)
DN15	50.50	55.00	19.00	16.00	54.00	BBS-05-AA.X15.X00.35.0	(730 781)	BBS-05-AA.X15.X00.35.3	(730 783)
DN20	50.50	55.00	23.00	20.00	54.00	BBS-05-AA.X20.X00.35.0	(730 789)	BBS-05-AA.X20.X00.35.3	(730 791)
DN25	50.50	72.00	29.00	26.00	54.00	BBS-05-AA.X25.X00.35.0	(730 799)	BBS-05-AA.X25.X00.35.3	(730 800)
DN32	64.00	87.00	35.00	32.00	60.00	BBS-05-AA.X32.X00.35.0	(730 806)	BBS-05-AA.X32.X00.35.3	(730 808)
DN40	64.00	87.00	41.00	38.00	60.00	BBS-05-AA.X40.X00.35.0	(730 814)	BBS-05-AA.X40.X00.35.3	(730 816)
DN50	77.50	99.00	53.00	50.00	60.00	BBS-05-AA.X50.X00.35.0	(730 822)	BBS-05-AA.X50.X00.35.3	(730 824)
DN65	91.00	113.00	70.00	66.00	60.00	BBS-05-AA.X65.X00.35.0	(730 830)	BBS-05-AA.X65.X00.35.3	(730 832)
DN80	106.00	127.00	85.00	81.00	60.00	BBS-05-AA.X80.X00.35.0	(730 838)	BBS-05-AA.X80.X00.35.3	(730 840)
DN100	130.00	154.00	104.00	100.00	60.00	BBS-05-AA.X100.X00.35.0	(730 773)	BBS-05-AA.X100.X00.35.3	(730 775)

Dimensions [mm] Quick Connect female ferrule



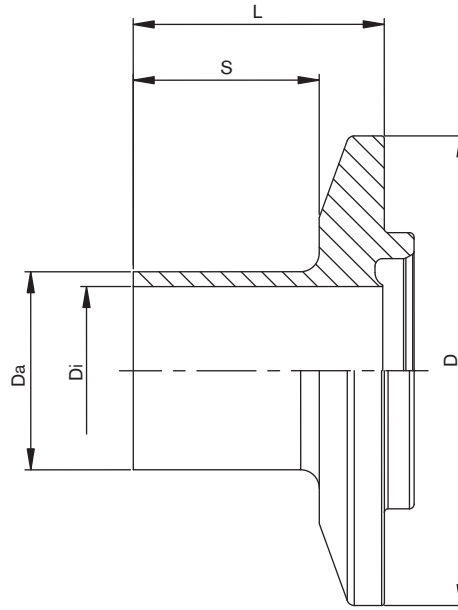
Orifice	D [mm]	Da [mm]	Di [mm]	L [mm]	S [mm]	Item no.
ISO Dimensions Quick Connect female ferrule						
DN08	25.00	13.50	10.30	27.00	18.00	BBS-05-B3.U08.U00.35.0 (730 953)
DN10	50.50	17.20	14.00	27.00	20.00	BBS-05-B3.U10.U00.35.0 (730 959)
DN15	50.50	21.30	18.10	27.00	20.00	BBS-05-B3.U15.U00.35.0 (730 972)
DN20	50.50	26.90	23.70	27.00	20.00	BBS-05-B3.U20.U00.35.0 (730 980)
DN25	50.50	33.70	29.70	27.00	18.00	BBS-05-B3.U25.U00.35.0 (730 992)
DN32	64.00	42.40	38.40	30.00	20.00	BBS-05-B3.U32.U00.35.0 (730 996)
DN40	64.00	48.30	44.30	30.00	21.00	BBS-05-B3.U40.U00.35.0 (731 005)
DN50	77.50	60.30	56.30	30.00	21.00	BBS-05-B3.U50.U00.35.0 (731 008)
DN65	91.00	76.10	42.10	30.00	21.00	BBS-05-B3.U65.U00.35.0 (731 012)
DN80	106.00	88.90	84.30	30.00	20.00	BBS-05-B3.U80.U00.35.0 (731 018)
DN100	144.50	114.30	109.70	30.00	20.00	BBS-05-B3.U100.U00.35.0 (730 962)
SMS Dimensions Quick Connect female ferrule						
DN06	25.00	8.00	6.00	27.00	18.00	BBS-05-B3.X06.X00.35.0 (731 022)
DN08	25.00	10.00	8.00	27.00	18.00	BBS-05-B3.X08.X00.35.0 (731 024)
DN10	50.50	12.00	10.00	27.00	18.00	BBS-05-B3.X10.X00.35.0 (731 030)
DN15	50.50	18.00	16.00	27.00	18.00	BBS-05-B3.L15.L00.35.0 (730 906)
DN20	50.50	22.00	20.00	27.00	18.00	BBS-05-B3.L20.L00.35.0 (on request)
DN25	50.50	25.00	22.60	27.00	18.00	BBS-05-B3.L25.L00.35.0 (730 908)
DN32	64.00	32.00	29.60	30.00	21.00	BBS-05-B3.L32.L00.35.0 (on request)
DN40	64.00	38.00	35.60	30.00	21.00	BBS-05-B3.L40.L00.35.0 (730 910)
DN50	77.50	51.00	48.60	30.00	21.00	BBS-05-B3.L50.L00.35.0 (730 912)
DN65	91.00	63.50	60.30	30.00	21.00	BBS-05-B3.L65.L00.35.0 (730 914)
DN80	106.00	76.10	72.90	30.00	20.00	BBS-05-B3.L80.L00.35.0 (730 916)
DN100	144.50	101.60	97.60	30.00	20.00	BBS-05-B3.L100.L00.35.0 (730 904)

Dimensions [mm] Quick Connect female ferrule, continued



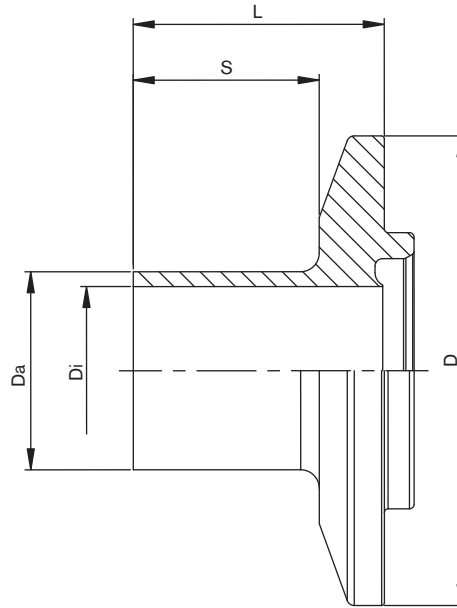
Orifice	D [mm]	Da [mm]	Di [mm]	L [mm]	S [mm]	Item no.	
BS-OD Dimensions Quick Connect female ferrule							
DN1/4"	25.00	6.35	4.57	27.00	18.00	BBS-05-B3.Q02.Q00.35.0	(730 920)
DN3/8"	25.00	9.53	7.75	27.00	18.00	BBS-05-B3.Q03.Q00.35.0	(743 697)
DN1/2"	25.00	12.70	9.40	27.00	18.00	BBS-05-B3.Q05.Q00.35.0	(730 923)
DN3/4"	25.00	19.05	15.75	27.00	18.00	BBS-05-B3.Q07.Q00.35.0	(730 927)
DN1"	50.50	25.40	22.10	27.00	18.00	BBS-05-B3.Q10.Q00.35.0	(730 931)
DN1 1/2"	50.50	38.10	34.80	27.00	18.00	BBS-05-B3.Q15.Q00.35.0	(730 935)
DN2"	64.00	50.80	47.50	27.00	18.00	BBS-05-B3.Q20.Q00.35.0	(730 939)
DN2 1/2"	77.50	63.50	60.20	27.00	18.00	BBS-05-B3.Q25.Q00.35.0	(730 943)
DN3"	91.00	76.20	72.90	30.00	21.00	BBS-05-B3.Q30.Q00.35.0	(on request)
DN4"	119.00	101.60	97.38	30.00	21.00	BBS-05-B3.Q40.Q00.35.0	(on request)
DIN Dimensions Quick Connect female ferrule							
DN04	25.00	6.00	4.00	27.00	18.00	BBS-05-B3.X04.X00.35.0	(731 020)
DN06	25.00	8.00	6.00	27.00	18.00	BBS-05-B3.X06.X00.35.0	(731 022)
DN08	25.00	10.00	8.00	27.00	18.00	BBS-05-B3.X08.X00.35.0	(731 024)
DN10	50.50	12.00	10.00	27.00	18.00	BBS-05-B3.X10.X00.35.0	(731 030)
DN10	50.50	13.00	10.00	27.00	18.00	BBS-05-B3.X10.X00.35.0	(on request)
DN15	50.50	19.00	16.00	27.00	18.00	BBS-05-B3.X15.X00.35.0	(731 036)
DN20	50.50	23.00	20.00	27.00	18.00	BBS-05-B3.X20.X00.35.0	(731 038)
DN25	50.50	29.00	26.00	27.00	18.00	BBS-05-B3.X25.X00.35.0	(731 044)
DN32	64.00	35.00	32.00	30.00	18.00	BBS-05-B3.X32.X00.35.0	(731 047)
DN40	64.00	41.00	32.00	30.00	21.00	BBS-05-B3.X40.X00.35.0	(731 051)
DN50	77.50	53.00	50.00	30.00	21.00	BBS-05-B3.X50.X00.35.0	(731 055)
DN65	91.00	70.00	66.00	30.00	21.00	BBS-05-B3.X65.X00.35.0	(731 059)
DN80	106.00	85.00	81.00	30.00	20.00	BBS-05-B3.X80.X00.35.0	(731 063)
DN100	130.00	104.00	100.00	30.00	20.00	BBS-05-B3.X100.X00.35.0	(731 032)

Dimensions [mm] Quick Connect male ferrule



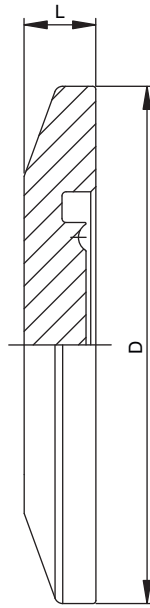
Orifice	D [mm]	Da [mm]	Di [mm]	L [mm]	S [mm]	Item no.
ISO Dimensions Quick Connect male ferrule						
DN08	25.00	13.50	10.30	27.00	18.00	BBS-05-A3.U08.U00.35.0 (730 294)
DN10	50.50	17.20	14.00	27.00	20.00	BBS-05-A3.U10.U00.35.0 (730 298)
DN15	50.50	21.30	18.10	27.00	20.00	BBS-05-A3.U15.U00.35.0 (730 310)
DN20	50.50	26.90	23.70	27.00	20.00	BBS-05-A3.U20.U00.35.0 (730 318)
DN25	50.50	33.70	29.70	27.00	18.00	BBS-05-A3.U25.U00.35.0 (730 325)
DN32	64.00	42.40	38.40	30.00	20.00	BBS-05-A3.U32.U00.35.0 (730 331)
DN40	64.00	48.30	44.30	30.00	21.00	BBS-05-A3.U40.U00.35.0 (730 341)
DN50	77.50	60.30	56.30	30.00	21.00	BBS-05-A3.U50.U00.35.0 (730 345)
DN65	91.00	76.10	42.10	30.00	21.00	BBS-05-A3.U65.U00.35.0 (730 349)
DN80	106.00	88.90	84.30	30.00	20.00	BBS-05-A3.U80.U00.35.0 (730 355)
DN100	144.50	114.30	109.70	30.00	20.00	BBS-05-A3.U100.U00.35.0 (730 302)
SMS Dimensions Quick Connect male ferrule						
DN06	25.00	8.00	6.00	27.00	18.00	BBS-05-A3.X06.X00.35.0 (730 359)
DN08	25.00	10.00	8.00	27.00	18.00	BBS-05-A3.X08.X00.35.0 (730 360)
DN10	50.50	12.00	10.00	27.00	18.00	BBS-05-A3.X10.X00.35.0 (730 366)
DN15	50.50	18.00	16.00	27.00	18.00	BBS-05-A3.L15.L00.35.0 (730 251)
DN20	50.50	22.00	20.00	27.00	18.00	BBS-05-A3.L20.L00.35.0 (on request)
DN25	50.50	25.00	22.60	27.00	18.00	BBS-05-A3.L25.L00.35.0 (730 253)
DN32	64.00	32.00	29.60	30.00	21.00	BBS-05-A3.L32.L00.35.0 (on request)
DN40	64.00	38.00	35.60	30.00	21.00	BBS-05-A3.L40.L00.35.0 (730 255)
DN50	77.50	51.00	48.60	30.00	21.00	BBS-05-A3.L50.L00.35.0 (730 257)
DN65	91.00	63.50	60.30	30.00	21.00	BBS-05-A3.L65.L00.35.0 (730 259)
DN80	106.00	76.10	72.90	30.00	20.00	BBS-05-A3.L80.L00.35.0 (730 261)
DN100	144.50	101.60	97.60	30.00	20.00	BBS-05-A3.L100.L00.35.0 (730 249)

Dimensions [mm] Quick Connect male ferrule, continued



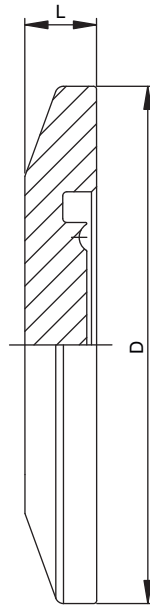
Orifice	D [mm]	Da [mm]	Di [mm]	L [mm]	S [mm]	Item no.	
BS-OD Dimensions Quick Connect male ferrule							
DN1/4"	25.00	6.35	4.57	27.00	18.00	BBS-05-A3.Q02.Q00.35.0	(730 263)
DN3/8"	25.00	9.53	7.75	27.00	18.00	BBS-05-A3.Q03.Q00.35.0	(743 696)
DN1/2"	25.00	12.70	9.40	27.00	18.00	BBS-05-A3.Q05.Q00.35.0	(730 267)
DN3/4"	25.00	19.05	15.75	27.00	18.00	BBS-05-A3.Q07.Q00.35.0	(730 271)
DN1"	50.50	25.40	22.10	27.00	18.00	BBS-05-A3.Q10.Q00.35.0	(730 274)
DN1 1/2"	50.50	38.10	34.80	27.00	18.00	BBS-05-A3.Q15.Q00.35.0	(730 278)
DN2"	64.00	50.80	47.50	27.00	18.00	BBS-05-A3.Q20.Q00.35.0	(730 282)
DN2 1/2"	77.50	63.50	60.20	27.00	18.00	BBS-05-A3.Q25.Q00.35.0	(730 286)
DN3"	91.00	76.20	72.90	30.00	21.00	BBS-05-A3.Q30.Q00.35.0	(on request)
DN4"	119.00	101.60	97.38	30.00	21.00	BBS-05-A3.Q40.Q00.35.0	(on request)
DIN Dimensions Quick Connect male ferrule							
DN04	25.00	6.00	4.00	27.00	18.00	BBS-05-A3.X04.X00.35.0	(730 357)
DN06	25.00	8.00	6.00	27.00	18.00	BBS-05-A3.X06.X00.35.0	(730 359)
DN08	25.00	10.00	8.00	27.00	18.00	BBS-05-A3.X08.X00.35.0	(730 360)
DN10	50.50	12.00	10.00	27.00	18.00	BBS-05-A3.X10.X00.35.0	(730 366)
DN10	50.50	13.00	10.00	27.00	18.00	BBS-05-A3.X10.X00.35.0-1	(on request)
DN15	50.50	19.00	16.00	27.00	18.00	BBS-05-A3.X15.X00.35.0	(730 372)
DN20	50.50	23.00	20.00	27.00	18.00	BBS-05-A3.X20.X00.35.0	(730 374)
DN25	50.50	29.00	26.00	27.00	18.00	BBS-05-A3.X25.X00.35.0	(730 380)
DN32	64.00	35.00	32.00	30.00	18.00	BBS-05-A3.X32.X00.35.0	(730 382)
DN40	64.00	41.00	32.00	30.00	21.00	BBS-05-A3.X40.X00.35.0	(730 386)
DN50	77.50	53.00	50.00	30.00	21.00	BBS-05-A3.X50.X00.35.0	(730 390)
DN65	91.00	70.00	66.00	30.00	21.00	BBS-05-A3.X65.X00.35.0	(730 392)
DN80	106.00	85.00	81.00	30.00	20.00	BBS-05-A3.X80.X00.35.0	(730 396)
DN100	130.00	104.00	100.00	30.00	20.00	BBS-05-A3.X100.X00.35.0	(730 368)

Dimensions [mm] Quick Connect female ferrule blind cover



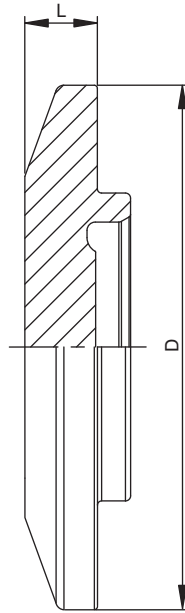
Orifice	D [mm]	L [mm]	Item no.	
ISO Dimensions Quick Connect female ferrule blind cover				
DN08	25.00	6.00	BBS-05-G0.U08.U00.35.0	(731 351)
DN10	50.50	7.00	BBS-05-G0.U10.U00.35.0	(731 354)
DN15	50.50	7.00	BBS-05-G0.U15.U00.35.0	(731 364)
DN20	50.50	7.00	BBS-05-G0.U20.U00.35.0	(731 368)
DN25	50.50	7.00	BBS-05-G0.U25.U00.35.0	(731 374)
DN32	64.00	10.00	BBS-05-G0.U32.U00.35.0	(731 378)
DN40	64.00	10.00	BBS-05-G0.U40.U00.35.0	(731 384)
DN50	77.50	10.00	BBS-05-G0.U50.U00.35.0	(731 388)
DN65	91.00	10.00	BBS-05-G0.U65.U00.35.0	(731 392)
DN80	106.00	10.00	BBS-05-G0.U80.U00.35.0	(731 395)
DN100	144.50	10.00	BBS-05-G0.U100.U00.35.0	(731 358)
SMS Dimensions Quick Connect female ferrule blind cover				
DN06	25.00	6.00	BBS-05-G0.X06.X00.35.0	(on request)
DN08	25.00	6.00	BBS-05-G0.X08.X00.35.0	(731 398)
DN10	50.50	7.00	BBS-05-G0.X10.X00.35.0	(731 399)
DN15	50.50	7.00	BBS-05-G0.L15.L00.35.0	(on request)
DN20	50.50	7.00	BBS-05-G0.L20.L00.35.0	(on request)
DN25	50.50	7.00	BBS-05-G0.L25.L00.35.0	(731 339)
DN32	64.00	10.00	BBS-05-G0.L32.L00.35.0	(on request)
DN40	64.00	10.00	BBS-05-G0.L40.L00.35.0	(731 341)
DN50	77.50	10.00	BBS-05-G0.L50.L00.35.0	(731 343)
DN65	91.00	10.00	BBS-05-G0.L65.L00.35.0	(on request)
DN80	106.00	10.00	BBS-05-G0.L80.L00.35.0	(on request)
DN100	144.50	10.00	BBS-05-G0.L100.L00.35.0	(on request)

Dimensions [mm] Quick Connect female ferrule blind cover, continued



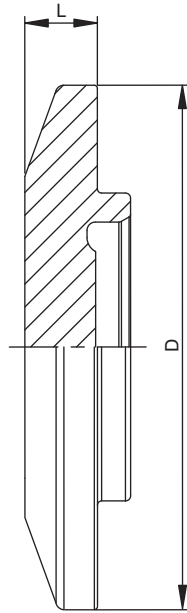
Orifice	D [mm]	L [mm]	Item no.	
BS-OD Dimensions Quick Connect female ferrule blind cover				
DN1/4"	25.00	6.00	BBS-05-G0.Q02.Q00.35.0	(743 700)
DN3/8"	25.00	6.00	BBS-05-G0.Q03.Q00.35.0	(743 699)
DN1/2"	25.00	6.00	BBS-05-G0.Q05.Q00.35.0	(743 698)
DN3/4"	25.00	6.00	BBS-05-G0.Q07.Q00.35.0	(731 345)
DN1"	50.50	7.00	BBS-05-G0.Q10.Q00.35.0	(743 866)
DN1 1/2"	50.50	7.00	BBS-05-G0.Q15.Q00.35.0	(731 347)
DN2"	64.00	10.00	BBS-05-G0.Q20.Q00.35.0	(743 867)
DN2 1/2"	77.50	10.00	BBS-05-G0.Q25.Q00.35.0	(on request)
DN3"	91.00	10.00	BBS-05-G0.Q30.Q00.35.0	(on request)
DN4"	119.00	10.00	BBS-05-G0.Q40.Q00.35.0	(on request)
DIN Dimensions Quick Connect female ferrule blind cover				
DN04	25.00	6.00	BBS-05-G0.X04.X00.35.0	(on request)
DN06	25.00	6.00	BBS-05-G0.X06.X00.35.0	(on request)
DN08	25.00	6.00	BBS-05-G0.X08.X00.35.0	(731 398)
DN10	50.50	7.00	BBS-05-G0.X10.X00.35.0	(731 399)
DN15	50.50	7.00	BBS-05-G0.X15.X00.35.0	(on request)
DN20	50.50	7.00	BBS-05-G0.X20.X00.35.0	(on request)
DN25	50.50	7.00	BBS-05-G0.X25.X00.35.0	(731 401)
DN32	64.00	10.00	BBS-05-G0.X32.X00.35.0	(on request)
DN40	64.00	10.00	BBS-05-G0.X40.X00.35.0	(on request)
DN50	77.50	10.00	BBS-05-G0.X50.X00.35.0	(on request)
DN65	91.00	10.00	BBS-05-G0.X65.X00.35.0	(on request)
DN80	106.00	10.00	BBS-05-G0.X80.X00.35.0	(on request)
DN100	130.00	10.00	BBS-05-G0.X100.X00.35.0	(on request)

Dimensions [mm] Quick Connect male ferrule blind cover



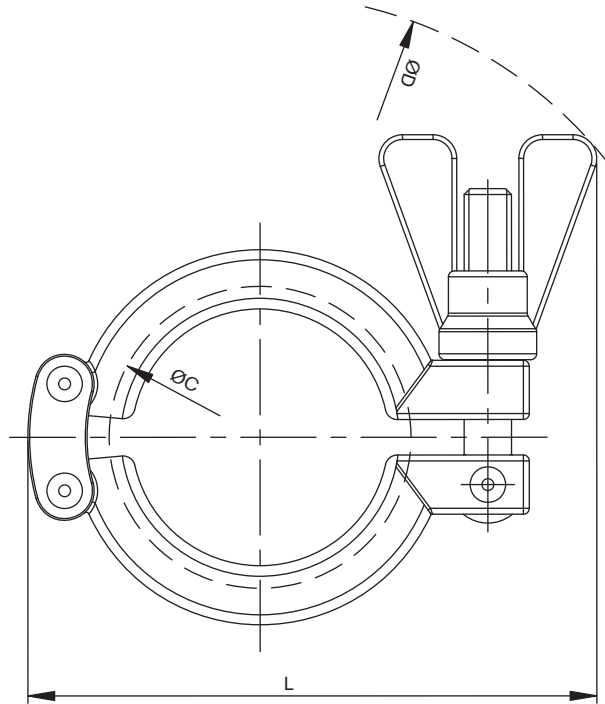
Orifice	D [mm]	L [mm]	Item no.	
ISO Dimensions Quick Connect male ferrule blind cover				
DN08	25.00	6.20	BBS-05-F0.U08.U00.35.0	(731 280)
DN10	50.50	6.20	BBS-05-F0.U10.U00.35.0	(731 284)
DN15	50.50	6.20	BBS-05-F0.U15.U00.35.0	(731 292)
DN20	50.50	6.20	BBS-05-F0.U20.U00.35.0	(731 296)
DN25	50.50	6.20	BBS-05-F0.U25.U00.35.0	(731 301)
DN32	64.00	6.20	BBS-05-F0.U32.U00.35.0	(731 305)
DN40	64.00	6.20	BBS-05-F0.U40.U00.35.0	(731 311)
DN50	77.50	6.20	BBS-05-F0.U50.U00.35.0	(731 315)
DN65	91.00	10.00	BBS-05-F0.U65.U00.35.0	(731 319)
DN80	106.00	10.00	BBS-05-F0.U80.U00.35.0	(731 323)
DN100	144.50	10.00	BBS-05-F0.U100.U00.35.0	(on request)
SMS Dimensions Quick Connect male ferrule blind cover				
DN06	25.00	6.20	BBS-05-F0.X06.X00.35.0	(731 325)
DN08	25.00	6.20	BBS-05-F0.X08.X00.35.0	(731 327)
DN10	50.50	6.20	BBS-05-F0.X10.X00.35.0	(on request)
DN15	50.50	6.20	BBS-05-F0.L15.L00.35.0	(on request)
DN20	50.50	6.20	BBS-05-F0.L20.L00.35.0	(on request)
DN25	50.50	6.20	BBS-05-F0.L25.L00.35.0	(731 256)
DN32	64.00	6.20	BBS-05-F0.L32.L00.35.0	(on request)
DN40	64.00	6.20	BBS-05-F0.L40.L00.35.0	(731 258)
DN50	77.50	6.20	BBS-05-F0.L50.L00.35.0	(731 260)
DN65	91.00	10.00	BBS-05-F0.L65.L00.35.0	(on request)
DN80	106.00	10.00	BBS-05-F0.L80.L00.35.0	(on request)
DN100	144.50	10.00	BBS-05-F0.L100.L00.35.0	(on request)

Dimensions [mm] Quick Connect male ferrule blind cover, continued



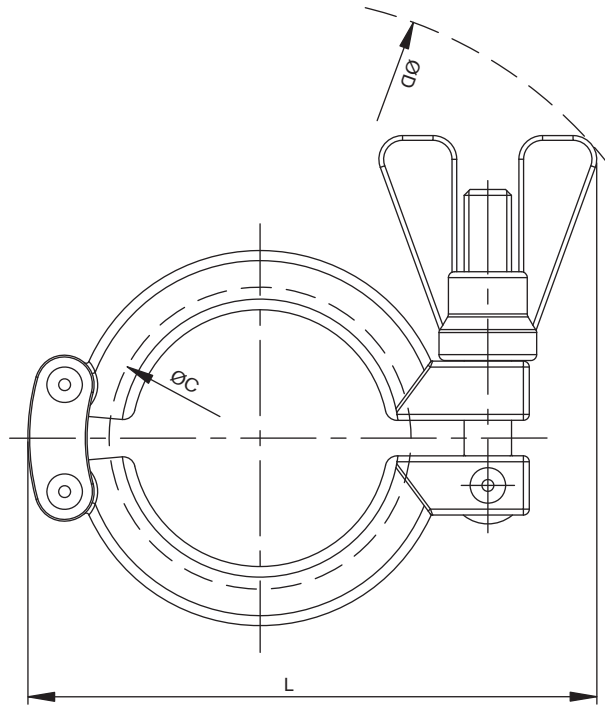
Orifice	D [mm]	L [mm]	Item no.	
BS-OD Dimensions Quick Connect male ferrule blind cover				
DN1/4"	25.00	6.20	BBS-05-F0.Q02.Q00.35.0	(731 262)
DN3/8"	25.00	6.20	BBS-05-F0.Q03.Q00.35.0	(on request)
DN1/2"	25.00	6.20	BBS-05-F0.Q05.Q00.35.0	(731 264)
DN3/4"	25.00	6.20	BBS-05-F0.Q07.Q00.35.0	(731 266)
DN1"	50.50	6.20	BBS-05-F0.Q10.Q00.35.0	(731 268)
DN1 1/2"	50.50	6.20	BBS-05-F0.Q15.Q00.35.0	(731 270)
DN2"	64.00	6.20	BBS-05-F0.Q20.Q00.35.0	(731 272)
DN2 1/2"	77.50	6.20	BBS-05-F0.Q25.Q00.35.0	(731 274)
DN3"	91.00	10.00	BBS-05-F0.Q30.Q00.35.0	(731 276)
DN4"	119.00	10.00	BBS-05-F0.Q40.Q00.35.0	(on request)
DIN Dimensions Quick Connect male ferrule blind cover				
DN04	25.00	6.20	BBS-03-F0.X04.X00.35.0	(on request)
DN06	25.00	6.20	BBS-05-F0.X06.X00.35.0	(731 325)
DN08	25.00	6.20	BBS-05-F0.X08.X00.35.0	(731 327)
DN10	50.50	6.20	BBS-05-F0.X10.X00.35.0	(on request)
DN15	50.50	6.20	BBS-05-F0.X15.X00.35.0	(on request)
DN20	50.50	6.20	BBS-05-F0.X20.X00.35.0	(on request)
DN25	50.50	6.20	BBS-05-F0.X25.X00.35.0	(731 335)
DN32	64.00	6.20	BBS-05-F0.X32.X00.35.0	(on request)
DN40	64.00	6.20	BBS-05-F0.X40.X00.35.0	(on request)
DN50	77.50	6.20	BBS-05-F0.X50.X00.35.0	(on request)
DN65	91.00	10.00	BBS-05-F0.X65.X00.35.0	(on request)
DN80	106.00	10.00	BBS-05-F0.X80.X00.35.0	(on request)
DN100	130.00	10.00	BBS-05-F0.X100.X00.35.0	(on request)

Dimensions [mm] Clamp



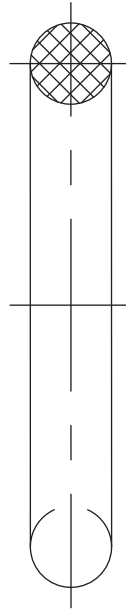
Orifice	C [mm]	D [mm]	L [mm]	Item no.	
ISO Dimensions Clamp					
DN08	25.00	130.00	64.00	BBS-05-C7.U08.U00.01.0	(731 146)
DN10	50.50	154.00	93.00	BBS-05-C7.U25.U00.01.0	(731 164)
DN15	50.50	154.00	93.00	BBS-05-C7.U25.U00.01.0	(731 164)
DN20	50.50	154.00	93.00	BBS-05-C7.U25.U00.01.0	(731 164)
DN25	50.50	154.00	93.00	BBS-05-C7.U25.U00.01.0	(731 164)
DN32	64.00	180.00	108.00	BBS-05-C7.U40.U00.01.0	(731 172)
DN40	64.00	180.00	108.00	BBS-05-C7.U40.U00.01.0	(731 172)
DN50	77.50	200.00	125.00	BBS-05-C7.U50.U00.01.0	(731 174)
DN65	91.00	105.00	139.00	BBS-05-C7.U65.U00.01.0	(731 176)
DN80	106.00	116.00	144.00	BBS-05-C7.U80.U00.01.0	(731 178)
DN100	144.50	230.00	161.00	BBS-05-C7.U100.U00.01.0	(731 152)
SMS Dimensions Clamp					
DN06	25.00	130.00	64.00	BBS-05-C7.U08.U00.01.0	(731 146)
DN08	25.00	130.00	64.00	BBS-05-C7.U08.U00.01.0	(731 146)
DN10	50.50	154.00	93.00	BBS-05-C7.U25.U00.01.0	(731 164)
DN15	50.50	154.00	93.00	BBS-05-C7.U25.U00.01.0	(731 164)
DN20	50.50	154.00	93.00	BBS-05-C7.U25.U00.01.0	(731 164)
DN25	50.50	154.00	93.00	BBS-05-C7.U25.U00.01.0	(731 164)
DN32	64.00	180.00	108.00	BBS-05-C7.U40.U00.01.0	(731 172)
DN40	64.00	180.00	108.00	BBS-05-C7.U40.U00.01.0	(731 172)
DN50	77.50	200.00	125.00	BBS-05-C7.U50.U00.01.0	(731 174)
DN65	91.00	105.00	139.00	BBS-05-C7.U65.U00.01.0	(731 176)
DN80	106.00	116.00	144.00	BBS-05-C7.U80.U00.01.0	(731 178)
DN100	144.50	230.00	161.00	BBS-05-C7.U100.U00.01.0	(731 152)

Dimensions [mm] Clamp



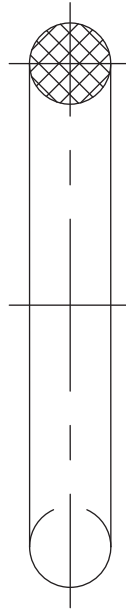
Orifice	C [mm]	D [mm]	L [mm]	Item no.	
BS-OD Dimensions Clamp					
DN1/4"	25.00	130.00	64.00	BBS-05-C7.U08.U00.01.0	(731146)
DN3/8"	25.00	130.00	64.00	BBS-05-C7.U08.U00.01.0	(731146)
DN1/2"	25.00	130.00	64.00	BBS-05-C7.U08.U00.01.0	(731146)
DN3/4"	25.00	130.00	64.00	BBS-05-C7.U08.U00.01.0	(731146)
DN1"	50.50	154.00	93.00	BBS-05-C7.U25.U00.01.0	(731164)
DN1 1/2"	50.50	154.00	93.00	BBS-05-C7.U25.U00.01.0	(731164)
DN2"	64.00	180.00	108.00	BBS-05-C7.U40.U00.01.0	(731172)
DN2 1/2"	77.50	200.00	125.00	BBS-05-C7.U50.U00.01.0	(731174)
DN3"	91.00	105.00	139.00	BBS-05-C7.U65.U00.01.0	(731176)
DN4"	119.00	240.00	171.00	BBS-05-C7.Q40.Q00.01.0	(731144)
DIN Dimensions Clamp					
DN04	25.00	130.00	64.00	"BBS-05-C7.U08.U00.01.0	(731146)
DN06	25.00	130.00	64.00	"BBS-05-C7.U08.U00.01.0	(731146)
DN08	25.00	130.00	64.00	"BBS-05-C7.U08.U00.01.0	(731146)
DN10	50.50	154.00	93.00	"BBS-05-C7.U25.U00.01.0	(731164)
DN15	50.50	154.00	93.00	"BBS-05-C7.U25.U00.01.0	(731164)
DN20	50.50	154.00	93.00	"BBS-05-C7.U25.U00.01.0	(731164)
DN25	50.50	154.00	93.00	"BBS-05-C7.U25.U00.01.0	(731164)
DN32	64.00	180.00	108.00	"BBS-05-C7.U40.U00.01.0	(731172)
DN40	64.00	180.00	108.00	"BBS-05-C7.U40.U00.01.0	(731172)
DN50	77.50	200.00	125.00	"BBS-05-C7.U50.U00.01.0	(731174)
DN65	91.00	105.00	139.00	"BBS-05-C7.U65.U00.01.0	(731176)
DN80	106.00	116.00	144.00	"BBS-05-C7.U80.U00.01.0	(731178)
DN100	130.00	240.00	173.00	"BBS-05-C7.U100.U01.01.0	(731154)

Dimensions [mm] ISO O-Rings for Quick Connect connection



Orifice	Item no. EPDM		Item no. FEP	
ISO O-Rings for Quick Connect connection				
DN08	BBS-02-01.N08.00.EP.0	(730 983)	BBS-02-01.N08.00.FE.3	(on request)
DN10	BBS-02-01.N10.00.EP.0	(731 004)	BBS-02-01.N10.00.FE.3	(731 006)
DN15	BBS-02-01.N15.00.EP.0	(731 058)	BBS-02-01.N15.00.FE.3	(731 060)
DN20	BBS-02-01.N20.00.EP.0	(731 101)	BBS-02-01.N20.00.FE.3	(731 103)
DN25	BBS-02-01.N25.00.EP.0	(731 141)	BBS-02-01.N25.00.FE.3	(731 143)
DN32	BBS-02-01.N32.00.EP.0	(731 187)	BBS-02-01.N32.00.FE.3	(731 189)
DN40	BBS-02-01.N40.00.EP.0	(731 216)	BBS-02-01.N40.00.FE.3	(731 218)
DN50	BBS-02-01.N50.10.EP.0	(731 267)	BBS-02-01.N50.10.FE.3	(731 269)
DN65	BBS-02-01.N65.00.EP.0	(731 287)	BBS-02-01.N65.00.FE.3	(731 289)
DN80	BBS-02-01.N80.00.EP.0	(731 310)	BBS-02-01.N80.00.FE.3	(731 312)
DN100	BBS-02-01.N100.00.EP.0	(731 031)	BBS-02-01.N100.00.FE.3	(731 033)
Orifice	Item no. Silicone		Item no. FKM	
ISO O-Rings for Quick Connect connection				
DN08	BBS-02-01.N08.00.SI.1	(730 989)	BBS-02-01.N08.00.VI.2	(on request)
DN10	BBS-02-01.N10.00.SI.1	(731 015)	BBS-02-01.N10.00.VI.2	(731 017)
DN15	BBS-02-01.N15.00.SI.1	(731 068)	BBS-02-01.N15.00.VI.2	(731 070)
DN20	BBS-02-01.N20.00.SI.1	(731 110)	BBS-02-01.N20.00.VI.2	(731 112)
DN25	BBS-02-01.N25.00.SI.1	(731 151)	BBS-02-01.N25.00.VI.2	(731 153)
DN32	BBS-02-01.N32.00.SI.1	(731 195)	BBS-02-01.N32.00.VI.2	(731 198)
DN40	BBS-02-01.N40.00.SI.1	(731 226)	BBS-02-01.N40.00.VI.2	(731 228)
DN50	BBS-02-01.N50.10.SI.1	(on request)	BBS-02-01.N50.10.VI.2	(on request)
DN65	BBS-02-01.N65.00.SI.1	(731 295)	BBS-02-01.N65.00.VI.2	(731 297)
DN80	BBS-02-01.N80.00.SI.1	(731 318)	BBS-02-01.N80.00.VI.2	(731 320)
DN100	BBS-02-01.N100.00.SI.1	(731 037)	BBS-02-01.N100.00.VI.2	(731 039)

Dimensions [mm] SMS O-Rings for Quick Connect connection



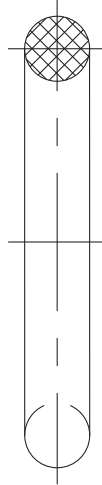
Orifice	Item no. EPDM		Item no. FEP	
SMS O-Rings for Quick Connect connection				
DN06	BBS-02-01.D06.00.EP.0	(730 346)	BBS-02-01.D06.00.FE.3	(730 348)
DN08	BBS-02-01.D08.00.EP.0	(730 356)	BBS-02-01.D08.00.FE.3	(730 358)
DN10	BBS-02-01.D10.00.EP.0	(730 369)	BBS-02-01.D10.00.FE.3	(730 371)
DN15	BBS-02-01.K07.00.EP.0	(730 792)	BBS-02-01.K07.00.FE.3	(730 794)
DN20	BBS-02-01.D20.00.EP.0	(730 460)	BBS-02-01.D20.00.FE.3	(730 462)
DN25	BBS-02-01.K10.00.EP.0	(730 811)	BBS-02-01.K10.00.FE.3	(730 813)
DN32	BBS-02-01.N25.00.EP.0	(731 141)	BBS-02-01.N25.00.FE.3	(731 143)
DN40	BBS-02-01.K15.00.EP.0	(730 837)	BBS-02-01.K15.00.FE.3	(730 839)
DN50	BBS-02-01.K20.00.EP.0	(730 867)	BBS-02-01.K20.00.FE.3	(730 870)
DN65	BBS-02-01.K25.00.EP.0	(730 890)	BBS-02-01.K25.00.FE.3	(730 892)
DN80	BBS-02-01.K30.00.EP.0	(730 913)	BBS-02-01.K30.00.FE.3	(730 915)
Orifice	Item no. Silicone		Item no. FKM	
SMS O-Rings for Quick Connect connection				
DN06	BBS-02-01.D06.00.SI.1	(730 352)	BBS-02-01.D06.00.VI.2	(743 671)
DN08	BBS-02-01.D08.00.SI.1	(730 361)	BBS-02-01.D08.00.VI.2	(730 363)
DN10	BBS-02-01.D10.00.SI.1	(730 373)	BBS-02-01.D10.00.VI.2	(730 375)
DN15	BBS-02-01.K07.00.SI.1	(730 796)	BBS-02-01.K07.00.VI.2	(730 798)
DN20	BBS-02-01.D20.00.SI.1	(730 464)	BBS-02-01.D20.00.VI.2	(730 466)
DN25	BBS-02-01.K10.00.SI.1	(730 815)	BBS-02-01.K10.00.VI.2	(730 817)
DN32	BBS-02-01.N25.00.SI.1	(731 151)	BBS-02-01.N25.00.VI.2	(731 153)
DN40	BBS-02-01.K15.00.SI.1	(730 841)	BBS-02-01.K15.00.VI.2	(730 843)
DN50	BBS-02-01.K20.00.SI.1	(730 872)	BBS-02-01.K20.00.VI.2	(730 874)
DN65	BBS-02-01.K25.00.SI.1	(730 894)	BBS-02-01.K25.00.VI.2	(730 896)
DN80	BBS-02-01.K30.00.SI.1	(730 917)	BBS-02-01.K30.00.VI.2	(730 919)

Dimensions [mm] BS-OD O-Rings for Quick Connect connection



Orifice	Item no. EPDM		Item no. FEP	
BS-OD O-Rings for Quick Connect connection				
DN1/4"	BBS-02-01.K02.00.EP.0	(730 750)	BBS-02-01.K02.00.FE.3	(730 752)
DN3/8"	BBS-02-01.D08.00.EP.0	(730 356)	BBS-02-01.D08.00.FE.3	(730 358)
DN1/2"	BBS-02-01.K05.00.EP.0	(730 766)	BBS-02-01.K05.00.FE.3	(730 768)
DN3/4"	BBS-02-01.K07.00.EP.0	(730 792)	BBS-02-01.K07.00.FE.3	(730 794)
DN1"	BBS-02-01.K10.00.EP.0	(730 811)	BBS-02-01.K10.00.FE.3	(730 813)
DN1 1/2"	BBS-02-01.K15.00.EP.0	(730 837)	BBS-02-01.K15.00.FE.3	(730 839)
DN2"	BBS-02-01.K20.00.EP.0	(730 867)	BBS-02-01.K20.00.FE.3	(730 870)
DN2 1/2"	BBS-02-01.K25.00.EP.0	(730 890)	BBS-02-01.K25.00.FE.3	(730 892)
DN3"	BBS-02-01.K30.00.EP.0	(730 913)	BBS-02-01.K30.00.FE.3	(730 915)
DN4"	BBS-02-01.K40.00.EP.0	(730 938)	BBS-02-01.K40.00.FE.3	(730 940)
Orifice	Item no. Silicone		Item no. FKM	
BS-OD O-Rings for Quick Connect connection				
DN1/4"	BBS-02-01.K02.00.SI.1	(730 754)	BBS-02-01.K02.00.VI.2	(730 756)
DN3/8"	BBS-02-01.D08.00.SI.1	(730 361)	BBS-02-01.D08.00.VI.2	(730 363)
DN1/2"	BBS-02-01.K05.00.SI.1	(730 770)	BBS-02-01.K05.00.VI.2	(730 772)
DN3/4"	BBS-02-01.K07.00.SI.1	(730 796)	BBS-02-01.K07.00.VI.2	(730 798)
DN1"	BBS-02-01.K10.00.SI.1	(730 815)	BBS-02-01.K10.00.VI.2	(730 817)
DN1 1/2"	BBS-02-01.K15.00.SI.1	(730 841)	BBS-02-01.K15.00.VI.2	(730 843)
DN2"	BBS-02-01.K20.00.SI.1	(730 872)	BBS-02-01.K20.00.VI.2	(730 874)
DN2 1/2"	BBS-02-01.K25.00.SI.1	(730 894)	BBS-02-01.K25.00.VI.2	(730 896)
DN3"	BBS-02-01.K30.00.SI.1	(730 917)	BBS-02-01.K30.00.VI.2	(730 919)
DN4"	BBS-02-01.K40.00.SI.1	(730 942)	BBS-02-01.K40.00.VI.2	(730 944)

Dimensions [mm] DIN O-Rings for Quick Connect connection



Orifice	Item no. EPDM		Item no. FEP	
DIN O-Rings for Quick Connect connection				
DN04	BBS-02-01.D04.00.EP.0	(730 340)	BBS-02-01.D04.00.FE.3	(on request)
DN06	BBS-02-01.D06.00.EP.0	(730 346)	BBS-02-01.D06.00.FE.3	(730 348)
DN08	BBS-02-01.D08.00.EP.0	(730 356)	BBS-02-01.D08.00.FE.3	(730 358)
DN10	BBS-02-01.D10.00.EP.0	(730 369)	BBS-02-01.D10.00.FE.3	(730 371)
DN15	BBS-02-01.D15.00.EP.0	(730 412)	BBS-02-01.D15.00.FE.3	(730 414)
DN20	BBS-02-01.D20.00.EP.0	(730 460)	BBS-02-01.D20.00.FE.3	(730 462)
DN25	BBS-02-01.D25.00.EP.0	(730 497)	BBS-02-01.D25.00.FE.3	(730 499)
DN32	BBS-02-01.D32.00.EP.0	(730 546)	BBS-02-01.D32.00.FE.3	(730 548)
DN40	BBS-02-01.D40.00.EP.0	(730 573)	BBS-02-01.D40.00.FE.3	(730 575)
DN50	BBS-02-01.D50.00.EP.0	(730 606)	BBS-02-01.D50.00.FE.3	(730 608)
DN65	BBS-02-01.D65.00.EP.0	(730 647)	BBS-02-01.D65.00.FE.3	(730 649)
DN80	BBS-02-01.D80.00.EP.0	(730 678)	BBS-02-01.D80.00.FE.3	(730 680)
DN100	BBS-02-01.D100.00.EP.0	(730 389)	BBS-02-01.D100.00.FE.3	(730 391)
Orifice	Item no. Silicone		Item no. FKM	
DIN O-Rings for Quick Connect connection				
DN04	BBS-02-01.D04.00.SI.1	(730 342)	BBS-02-01.D04.00.VI.2	(730 344)
DN06	BBS-02-01.D06.00.SI.1	(730 352)	BBS-02-01.D06.00.VI.2	(743 671)
DN08	BBS-02-01.D08.00.SI.1	(730 361)	BBS-02-01.D08.00.VI.2	(730 363)
DN10	BBS-02-01.D10.00.SI.1	(730 373)	BBS-02-01.D10.00.VI.2	(730 375)
DN15	BBS-02-01.D15.00.SI.1	(730 416)	BBS-02-01.D15.00.VI.2	(730 418)
DN20	BBS-02-01.D20.00.SI.1	(730 464)	BBS-02-01.D20.00.VI.2	(730 466)
DN25	BBS-02-01.D25.00.SI.1	(730 501)	BBS-02-01.D25.00.VI.2	(730 503)
DN32	BBS-02-01.D32.00.SI.1	(730 550)	BBS-02-01.D32.00.VI.2	(730 552)
DN40	BBS-02-01.D40.00.SI.1	(730 577)	BBS-02-01.D40.00.VI.2	(730 579)
DN50	BBS-02-01.D50.00.SI.1	(730 610)	BBS-02-01.D50.00.VI.2	(730 612)
DN65	BBS-02-01.D65.00.SI.1	(730 651)	BBS-02-01.D65.00.VI.2	(730 653)
DN80	BBS-02-01.D80.00.SI.1	(730 682)	BBS-02-01.D80.00.VI.2	(730 684)
DN100	BBS-02-01.D100.00.SI.1	(730 393)	BBS-02-01.D100.00.VI.2	(730 395)

DTS 1000148954 EN Version: C Status: RL (released | freigegeben | valide) printed: 29.08.2013

To find your nearest Bürkert facility, click on the orange box → www.burkert.com

In case of special application conditions,
please consult for advice.

Subject to alteration.
© Christian Bürkert GmbH & Co. KG

1204/1_EUen_00895173