



2 and 3-way Ball Valves

- Various types of valve bodies
- Full flow aperture
- Can also be supplied with DVGW approval

Manual ball valve in brass and stainless steel for shutting off and distributing medium flows.

Versions

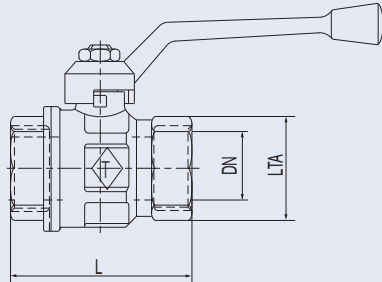
- Manual shut-off ball valve, full flow aperture
- Ball valve DVGW approved
- Mini lux ball valve with rotary wing
- Ball valve with rotary wing, full flow aperture
- 3-way ball valve with L or T bore, full flow aperture
- Stainless steel ball valve

Technical data	
Orifice	DN6 - DN100
Body material	brass, nickel-plated stainless steel
Ball material	brass, hard-chrome plated stainless steel
Sealing material	PTFE
Pressure range ¹⁾	technical vacuum (10 ⁻³ Torr) to nominal pressure PN (see Ordering charts)
Temperature range	see ordering charts

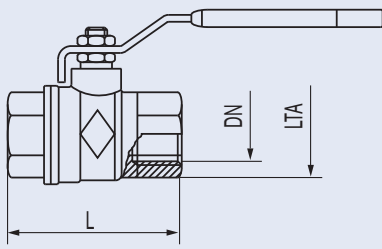
¹⁾ Pressure data [bar]: Overpressure with respect to atmospheric pressure

Ordering charts 2- and 3-way ball valves, brass body

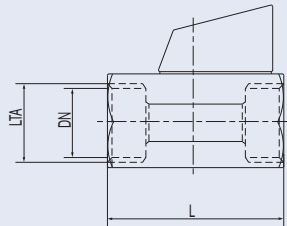
Manual shut-off ball valve, full flow aperture, Internal thread, bilateral

TKU001	Materials	Temperature range	DN	LTA	L	Kv value	PN	Item no.
			[mm]		[mm]	[m ³ /h]	[bar]	
	Body: brass, nickel-plated Ball: brass, hard-chrome plated Seal: PTFE Lever: aluminium, plastic coated	-20°C to +160°C	8	1/4	51.5	5.4	64	780 230
			10	3/8	51.5	6.0	64	780 231
			15	1/2	55.0	16.3	30	780 232
			20	3/4	57.0	29.5	30	780 233
			25	1	69.5	43.0	30	780 234
			32	1 1/4	81.5	89	25	781 746
			40	1 1/2	95	230	25	781 747
			50	2	113	265	25	781 748

Ball valve, DVGW approval (DIN DVGW-NG-4312AT0469), full flow aperture

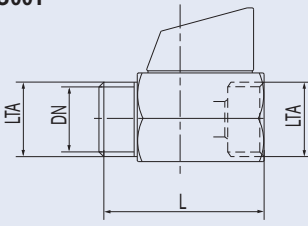
TKU001	Materials	Temperature range	DN	LTA	L	Kv value	PN	Item no.
			[mm]		[mm]	[m ³ /h]	[bar]	
	Body: brass, nickel-plated Ball: brass, hard-chrome plated Seal: PTFE Lever: aluminium, anodised, yellow coated	-10°C to +70°C	8	1/4	51.5	5.4	5	788 771
			10	3/8	51.5	6	5	781 646
			15	1/2	62	16.3	5	781 647
			20	3/4	69	29.5	5	781 648
			25	1	83	43	5	781 649
			32	1 1/4	96	89	5	781 650
			40	1 1/2	108	230	5	781 651
			50	2	126	265	5	781 652

Mini lux ball valve with rotary wing, Internal thread, bilateral

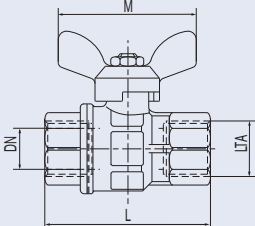
TKU001	Materials	Temperature range	DN	LTA	L	Kv value	PN	Item no.
			[mm]		[mm]	[m ³ /h]	[bar]	
	Body: brass, nickel-plated Ball: brass, hard-chrome plated Seal: PTFE	-20°C to +160°C	6	1/8	41	4.3	10	781 653
			8	1/4	41	4.3	10	781 654
			8	3/8	41	4.3	10	781 655
			10	1/2	46	4.3	10	781 656

Ordering charts 2- and 3-way ball valves, brass body, cont.

Mini lux ball valve with rotary wing, Internal and external thread

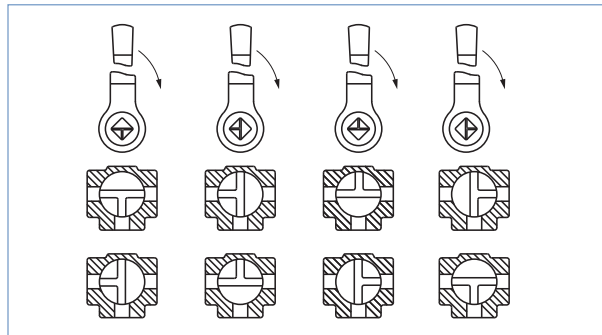
TKU001	Materials	Temperature range	DN [mm]	LTA	L [mm]	Kv value [m³/h]	PN [bar]	Item no.
	Body: brass, nickel-plated Ball: brass, hard-chrome plated Seal: PTFE	-20°C to +160°C	8	1/8	41	4.3	10	781 657
			8	1/4	41	4.3	10	781 658
			8	3/8	41	2.7	10	781 659
			10	1/2	46	5.4	10	781 660

Ball valve with rotary wing, full bore, Internal thread, bilateral

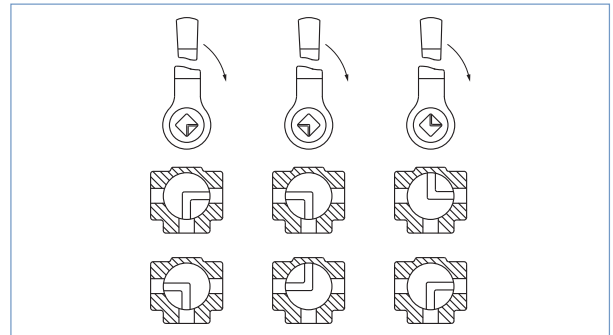
TKU001	Materials	Temperature range	DN [mm]	LTA	L [mm]	M [mm]	Kv value [m³/h]	PN [bar]	Item no.
	Body: brass, nickel-plated Ball: brass, hard-chrome plated Seal: PTFE Lever: aluminium	-20°C to +160°C	8	1/4	51.5	50	5.4	64	781 752
			10	3/8	51.5	50	6.0	64	781 753
			15	1/2	62	50	16.3	30	781 754
			20	3/4	69	64	29.5	30	781 755
			25	1	83	94	43	30	781 756

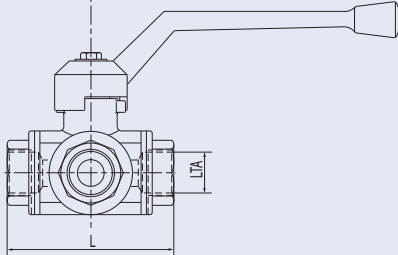
3-way Ball valve with L or T bore, full flow aperture

Switch positions
T-bores

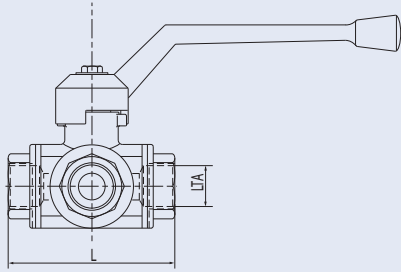


Switch positions
L-bores

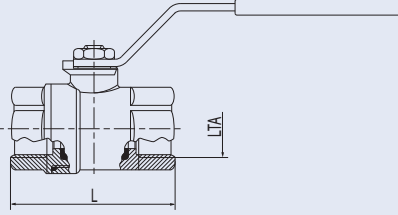


TKU002	Materials	Temperature range	DN [mm]	LTA G	L [mm]	Kv value [m³/h]	PN [bar]	Item no. L bore
	Body: brass, nickel-plated Ball: brass, hard-chrome plated Seal: PTFE Lever: aluminium	-20°C to +160°C	8	1/4"	80.5	2.8	40	781 762
			10	3/8"	80.5	3	40	781 763
			15	1/2"	80.5	3.6	40	781 764
			20	3/4"	93.4	6	40	781 765
			25	1"	107.3	11	25	781 766
			32	1 1/4"	118	16	16	781 767
			40	1 1/2"	141	25.5	16	781 768
50	2"	169	37.5	16	781 769			

Ordering charts 2- and 3-way ball valve, brass body, cont.

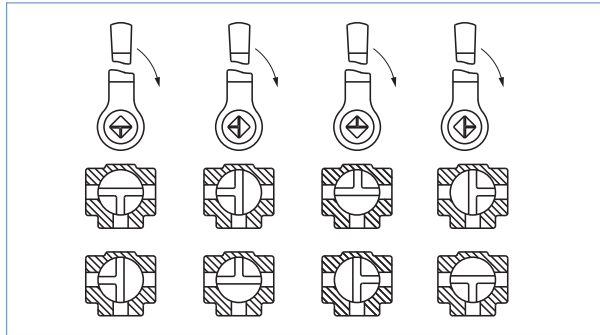
TKU003	Materials	Temperature range	DN	LTA G	L	Kv value	PN	item no.
			[mm]		[mm]	[m ³ /h]	[bar]	T bore
	Body: brass, nickel-plated Ball: brass, hard-chrome plated Seal: PTFE Lever: aluminium	-20°C to +160°C	8	1/4"	80.5	3	40	781 770
			10	3/8"	80.5	3.5	40	781 771
			15	1/2"	80.5	4.3	40	781 772
			20	3/4"	93.4	6.6	40	781 773
			25	1"	107.3	12.2	25	781 774
			32	1 1/4"	118	16.9	16	781 775
			40	1 1/2"	141	26.3	16	781 776
			50	2"	169	38.2	16	781 777

Ordering charts 2- and 3-way ball valves, stainless steel body

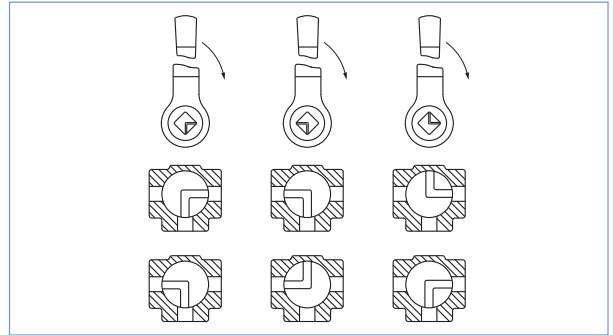
TKU001	Materials	Temperature range	DN [mm]	LTA G	L [mm]	Kv value [m ³ /h]	PN (80°C) [bar]	Item no.	
								L bore	T bore
	Body: stainless steel	-20°C to +160°C	8	1/4"	53.5	5.4	64	781 824	
	AISI 351-CF 8M		10	3/8"	53.5	6	64	781 825	
	Ball: Stainless steel		15	1/2"	60	16.3	64	781 826	
	AISI 351		20	3/4"	70	29.5	40	781 827	
	Seal: PTFE		25	1"	79	43	40	781 828	
	O Ring: FKM		32	1 1/4"	91	89	25	781 829	
	Lever: stainless steel		40	1 1/2"	103	230	25	781 830	
	AISI 430		50	2"	124	265	25	781 831	

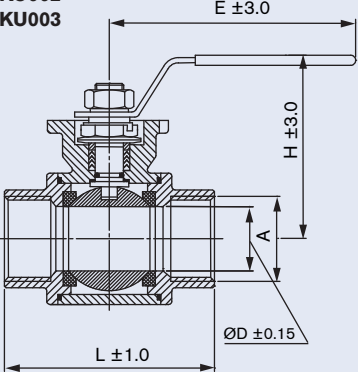
3-way ball valve with L or T bore, reduced flow with flange mounting, ISO 5211 and hand lever

Switch positions
T-bores



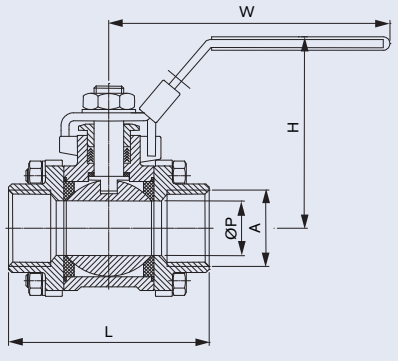
Switch positions
L-bores



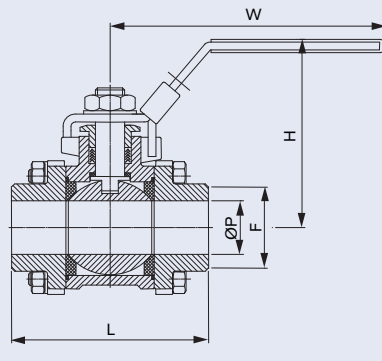
TKU002 TKU003	Materials	Temperature range	DN [mm]	LTA G	L [mm]	Kv value [m ³ /h]	PN [bar]	Item no.	
								L bore	T bore
	Body: stainless st. 1.4401	-20°C to +150°C	11	1/4"	80.5	2.8	63	789 439	789 446
			12	3/8"	80.5	3	63	789 493	789 447
	Ball: stainless st. 1.4401		12	1/2"	80.5	3.6	63	789 331	789 448
	Seal: PTFE		15	3/4"	88	6	63	789 441	789 449
	O Ring: FKM		20	1"	100	11	63	789 442	789 397
	Lever: stainless st. 1.4301		25	1 1/4"	123	16	63	789 443	789 450
			32	1 1/2"	140	25.5	63	789 444	789 451
			40	2"	170	37.5	63	789 445	789 452

Ordering charts 2- and 3-way ball valve, stainless steel body, cont.

3-piece, Threaded port

TKU001 	Materials	Temperature range						Item no.
			DN [mm]	LTA G	L [mm]	Kv value [m³/h]	PN [bar]	
Body: stainless st. 1.4408 Ball: stainless st. 1.4401 Seal: PTFE O Ring: FKM Lever: stainless st. 1.4301	-20°C to +200°C	8	1/4"	60	5.4	63	789 453	
		10	3/8"	60	6	63	789 454	
		15	1/2"	75	16.3	63	789 455	
		20	3/4"	80	29.5	63	789 456	
		25	1"	90	43	63	789 457	
		32	1 1/4"	110	89	63	789 458	
		40	1 1/2"	120	230	63	789 459	
		50	2"	140	265	63	789 460	
		65	2 1/2"	185	540	63	789 461	
		80	3"	205	880	63	789 373	
100	4"	240	1380	63	789 463			

3-piece, Weld end connection

TKU001 	Materials	Temperature range						Item no.
			DN [mm]	P Ø [mm]	F [mm]	L [mm]	Kv value [m³/h]	
Body: stainless st. 1.4408 Ball: stainless st. 1.4401 Seal: PTFE O Ring: FKM Lever: stainless st. 1.4301	-20°C to +200°C	8	11.6	12.5	65	5.4	63	789 464
		10	12.7	15	70	6	63	789 465
		15	16	18	75	16.3	63	789 430
		20	20	22	90	29.5	63	789 467
		25	25	28	100	43	63	789 468
		32	32	35	110	89	63	789 469
		40	38.1	43	125	230	63	789 470
		50	50.8	54	150	265	63	789 471
		65	65	69	190	540	63	789 472
		80	80	84	220	880	63	789 473
100	100	104	270	1380	63	789 474		

To find your nearest Bürkert facility, click on the orange box →

www.burkert.com

In case of special application conditions, please consult for advice.

We reserve the right to make technical changes without notice.
© Christian Bürkert GmbH & Co. KG

0808/1_EU-en_00895082