

## Control Head for the integrated mounting on process valves

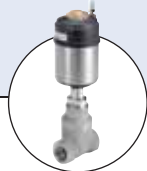


Type 8691 can be combined with...



**Type 2100**

Angle-seat valve



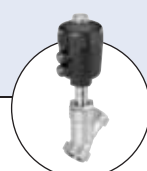
**Type 2101**

Globe valve



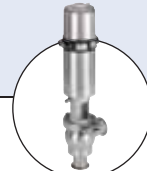
**Type 2103**

Diaphragm valve



**Type 2000**

Angle-seat valve



Hygienic process valves

- Compact stainless steel design
- Integrated analogue valve position registration (Teach function)
- Coloured illuminated status display
- Internal control air channel
- Fieldbus interface AS-Interface/DeviceNet (option)
- With ATEX II cat. 3G/D approval

The 8691 control head is optimised for integrated mounting on the 21XX process valve series. The registration of the valve end position is done through a contact-free analog position sensor, which automatically recognises and saves the valve end position through the Teach function when starting up. The integrated pilot valve controls single or double-acting actuators. As an option a fieldbus interface, AS-Interface or DeviceNet, can be chosen.

The design of the control unit and the actuator enables an internal control air channel without external tubings. Besides the electrical position feedback signal the status of the device is shown directly on the control head itself through coloured powerful LEDs showing a clear visible valve position status, even under dirty or dark environments.

The housing is easy to clean and features proven electrical IP protection and chemically resistant materials for use in hygienic processing in food, beverage and pharmaceutical industries. Focused on wash down applications the IP rating is supported by a positive pressure inside the control head. Combined with Bürkert ELEMENT actuators the unique pilot valve system enables a compressed air recycling that avoids actuator chambers contamination from the environment.

Technical data	
<b>Material</b>	Body Cover Sealing
	PPS, stainless steel PC EPDM
<b>Control medium</b>	Dust concentration Particle density Pressure condensation point Oil concentration
	neutral gases, air DIN ISO 8573-1 Class 5 (<40µm particle size) Class 5 (<10mg/m <sup>3</sup> ) Class 3 (<-20°C) Class 5 (<25mg/m <sup>3</sup> )
<b>Supply pressure</b>	3 to 7 bar <sup>1)</sup>
<b>Air input filter</b>	Mesh aperture
	exchangeable ~0.1mm
<b>Pilot air ports</b>	Threaded ports G1/8, stainless steel or push-in connector (tube Ø 6mm or 1/4" )
<b>Position feedback</b>	Analogue position sensor (contact-free) with teach function; switchpoint (PNP) (NPN on request)
<b>Stroke range valve spindle</b>	2,5 to 45 mm
<b>Ambient temperature</b>	with pilot valve Without pilot valve
	-10 to +55 °C -20 to +60 °C
<b>Installation</b>	As required, preferably with actuator upright
<b>Protection type</b>	IP65 and IP67 according to EN 60529
<b>Protection class</b>	3 according to VDE 0580
<b>Fieldbus communication</b>	AS-Interface, DeviceNet
<b>Conformity</b>	according to CE in compliance with EMV2004/108/EG
<b>Approvals</b>	ATEX II cat. 3G/D
<b>Ignition protection</b>	II 3D Ex tc IIIC T135 °C Dc II 3G Ex nA IIC T4 Gc
<b>Electrical connection</b>	Multipole Cable gland
	M12, 8-pins, M12 4-pins (AS-Interface), M12 5-pins (DeviceNet) M16x1,5

<sup>1)</sup> The supply pressure has to be 0,5 - 1 bar above the minimum required pilot pressure for the valve actuator.

## Technical data, continued

### Without fieldbus communication

Technical data	
<b>Power supply</b>	24 VDC $\pm 10\%$
<b>Residual ripple with DC</b>	10%
<b>Power consumption</b>	< 2 W
<b>Electrical connection</b>	
Multipole	M12, 8-pole
Cable gland	M16x1.5 (cable- $\varnothing 10\text{mm}$ ), terminal screws (1.5mm <sup>2</sup> )

### With fieldbus communication; AS-Interface

Technical data	
<b>Profile</b>	S-B.A.E. (A/B slave, max. 62 slaves/master) Certificate No. 77601 acc. to version 3.0
<b>Power supply</b> through bus line separated from bus signal	29.5 to 31.6 VDC according to specification on request
<b>Power consumption</b>	
<b>Units without external power supply</b>	
Max. power consumption	120 mA
Power consumption in normal operation (after current reduction; Valve + 1 end position achieved)	90 mA
<b>Units with external power supply</b>	
External power supply The power supply unit must contain one secured disconnection acc. to IEC 364-4-41 (PELV or SELV)	24 V $\pm 10\%$
Max. power consumption	55 mA (after power reduction $\leq 30$ mA)
Max. power consumption from ASI	55 mA
<b>Output</b>	
Contact rating	$\leq 1\text{W}$ over AS-Interface
Watch-dog function	integrated
<b>Input</b>	
Sensor operating voltage	24 V $\pm 10\%$ (over AS-Interface)
Ampacity	$\leq 50$ mA short-circuit-proof
Switching level High	$\geq 10$ V
Input current High	limited to 6,5 mA
Input current Low	$\leq 1.5$ mA
<b>Electrical connection</b>	M12 4-pins
<b>Programming data</b>	see operating instructions

### With fieldbus communication; DeviceNet

Technical data	
<b>Profile</b>	Group 2 Only Slave Device; MAC-ID and transfer rate adjustable through DIP-switch
<b>Power supply</b>	11 to 25 VDC
<b>Power consumption</b>	$\leq 80$ mA
<b>Output</b>	
Inrush current	$\leq 50$ mA
Hold current	$\leq 30$ mA
<b>Input</b>	
"0"	0 to 1.5 V
"1"	$\geq 8$ V
<b>Electrical connection</b>	M12-Micro Style - flange connector 5-pins (configuration according DeviceNet-specification)

## Ordering information for process valve system with integrated control head

A complete process valve system consists of a Control Head Type 8691 and a process valve Type 21xx or 20xx.

The following information is necessary for the selection of a complete system:

• **Item no.** of the desired Control Head **Type 8691** (see ordering chart on p. 4)

• **Item no.** of the desired process valve **Type 21xx or Type 20xx**

(see separate datasheet for e.g. Types 2100, 2101, 2103 and 2000, 2012, 2031)

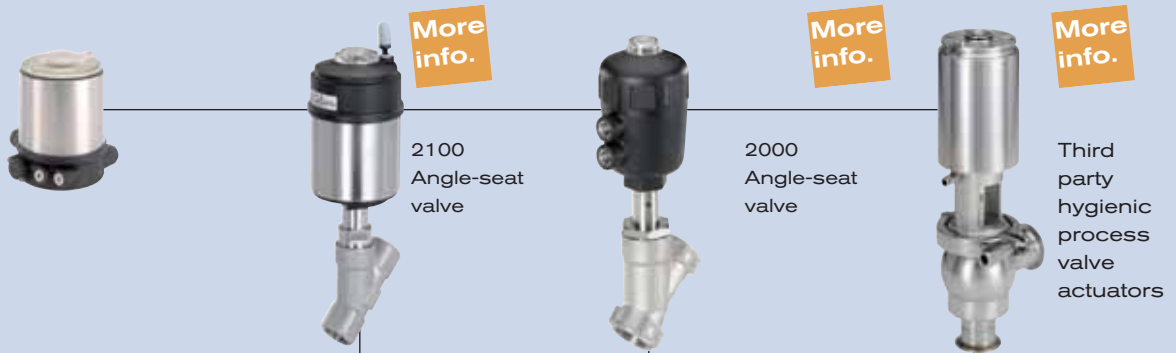
You order two components and receive a complete assembled and certified valve.

When you click on the orange box "More info." below, you will come to our website for the resp. product where you can download the datasheet.

### Example of variations of process valve systems

#### Control Head Type 8691

#### Desired process valve, example



#### Complete process valve system



**Process valve system  
On/Off ELEMENT  
Type 8801-YE-H  
2100+8691**

**Process valve system  
On/Off Classic  
Type 8801-YA-H  
2000+8691**

**Customised attach-  
ment to third party  
actuators\***

\*please see datasheet 8681/ELEMENT installation kits to third party process valves or contact your sales office for related drawings or individual engineering support

## Ordering chart Type 8691 (other versions on request)

Communi- cation	Electrical connection	Control function	Pilot air ports threaded ports	Item no.		
<b>Actuator series ELEMENT Type 21xx process valves</b>				<b>Standard</b>	<b>ATEX II cat. 3G/D</b>	
AS-Interface S-B.A.E	M12 multipole	single-acting	G1/8	227 254	264 988	
		double-acting	G1/8	227 240	264 975	
	M12 connector / flat cable clip / 80cm cable	single-acting	G1/8	227 258	264 990	
		double-acting	G1/8	227 244	264 977	
DeviceNet	M12 multipole	single-acting	G1/8	227 255	264 989	
		double-acting	G1/8	227 241	264 976	
	M12 multipole	single-acting	G1/8	227 262	264 992	
		double-acting	G1/8	227 248	264 979	
			G1/8	246 211	264 972	
	Cable gland	single-acting	G1/8	227 260	264 991	
		double-acting	G1/8	227 246	264 978	
			G1/8	264 943	264 971	
	<b>Actuator series CLASSIC Type 20xx process valves</b>					
	AS-Interface S-B.A.E	M12 multipole	single-acting	G1/8	227 265	264 993
double-acting			G1/8	227 250	264 982	
M12 connector / flat cable clip / 80cm cable		single-acting	G1/8	237 659	264 995	
		double-acting	G1/8	264 981	264 985	
DeviceNet	M12 multipole	single-acting	G1/8	227 266	264 994	
		double-acting	G1/8	227 251	264 983	
	M12 multipole	single-acting	G1/8	227 272	264 997	
		double-acting	G1/8	264 980	264 987	
				265 937	264 974	
	Cable gland			238 078	264 973	
		single-acting	G1/8	227 270	264 996	
		double-acting	G1/8	227 252	264 986	

 Further versions on request


**Approvals**  
FM, cULus



**Additional**  
push-in pilot air ports (tube Ø 6mm / 1/4")  
NEMA4X

## Ordering chart adapter kit (has to be ordered separately)

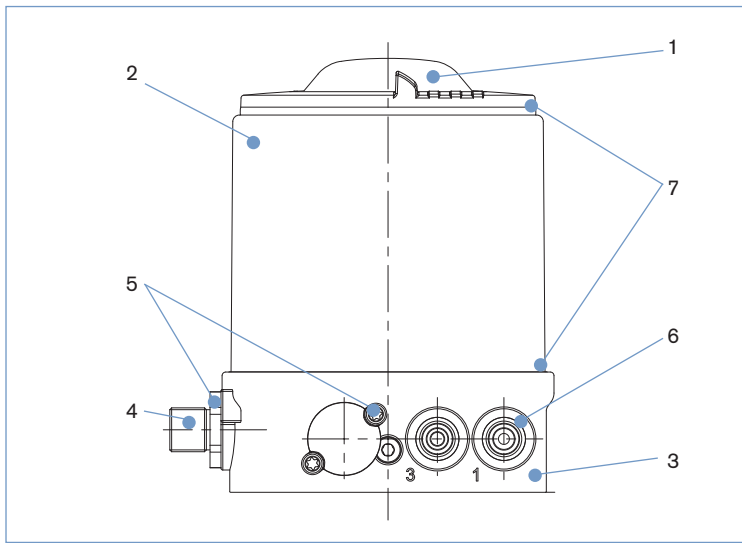
Description	Actuator size	Control function	Item no.
Adapter kit ELEMENT Typ 21xx	Ø70 / 90 / 130mm	universal	679 917
Adapter kit CLASSIC types 20xx	Ø63 mm	universal	679 921
		8691 feedback (without pilot valve)	679 937
	Ø80 mm	universal	679 922
		8691 feedback (without pilot valve)	679 938
	Ø100 mm	universal	679 923
		8691 feedback (without pilot valve)	679 939
	Ø125 mm	universal	679 924
		8691 feedback (without pilot valve)	679 939
Ø175/225 mm	universal	679 925	
	8691 feedback (without pilot valve)	679 940	

For installation kits to 3rd party process valves please see datasheet installation kits for hygienic process valves or contact your sales office for related drawings or individual engineering support

## Ordering chart accessories

Description	Item no.
M12 socket, 8-pins, 5m assembled cable	919 267
M12 socket, 4-pins, 5m assembled cable	918 038
M12 socket, 5-pins, 5m assembled cable	264 606
ASI flat cable clip with stainless steel socket M12 (spare part)	799 646
Silencer G1/8	780 779
Silencer, push-in connector	902 662
Sensor puck (spare part)	682 240

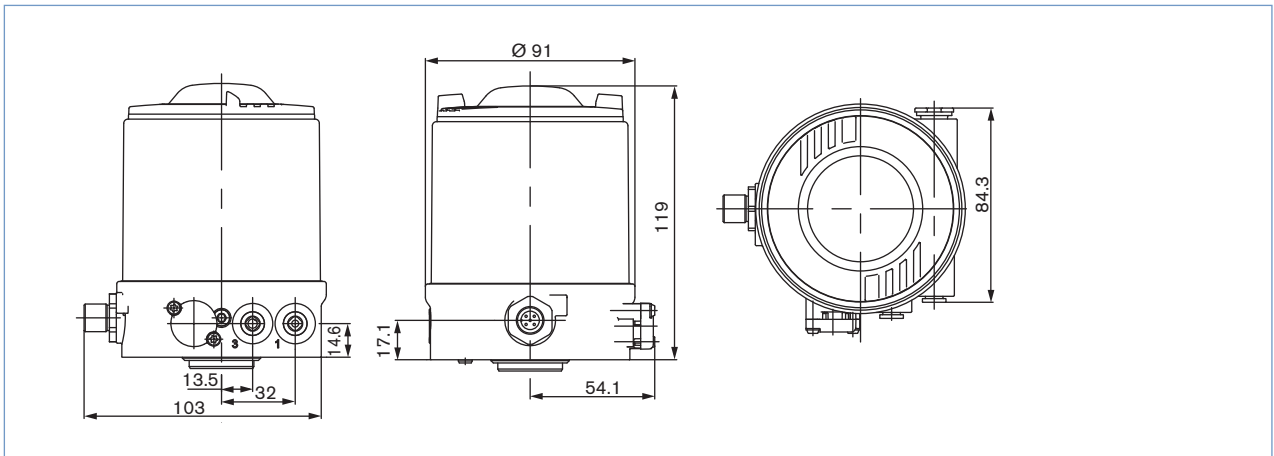
Materials



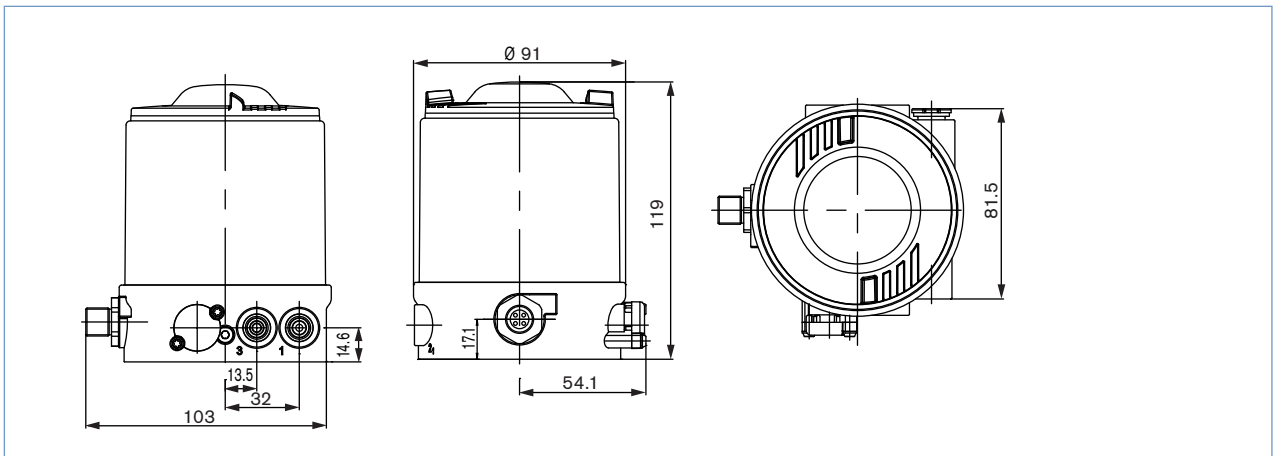
- |          |                     |                     |
|----------|---------------------|---------------------|
| <b>1</b> | Cover               | PC                  |
| <b>2</b> | Housing             | Stainless steel     |
| <b>3</b> | Basic body          | PPS                 |
| <b>4</b> | Plug M12            | Stainless steel     |
| <b>5</b> | Screws              | Stainless steel     |
| <b>6</b> | Push-in connector   | POM/Stainless steel |
|          | Threaded ports G1/8 | Stainless steel     |
| <b>7</b> | Sealing             | EPDM                |

Dimensions [mm]

Mounting on process valve ELEMENT Types 21XX



Mounting on process valve CLASSIC Types 20XX



Mounting on 3rd party hygienic process valves



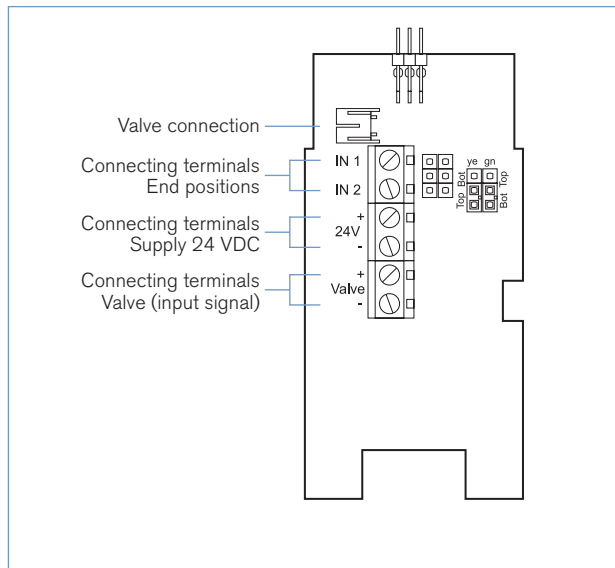
More info.

Type 8681

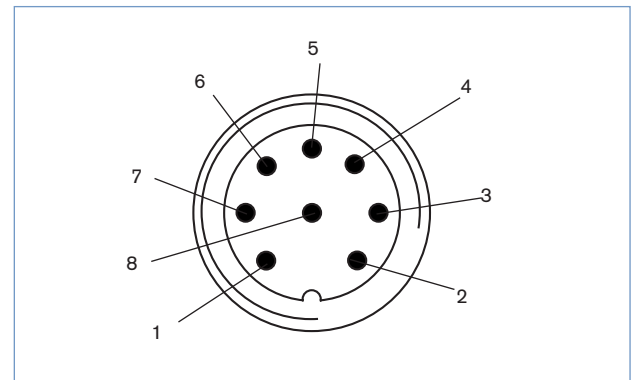
\*please see datasheet 8681/ELEMENT installation kits to third party process valves or contact your sales office for related drawings or individual engineering support

Connection options

Without fieldbus communication  
Cable gland



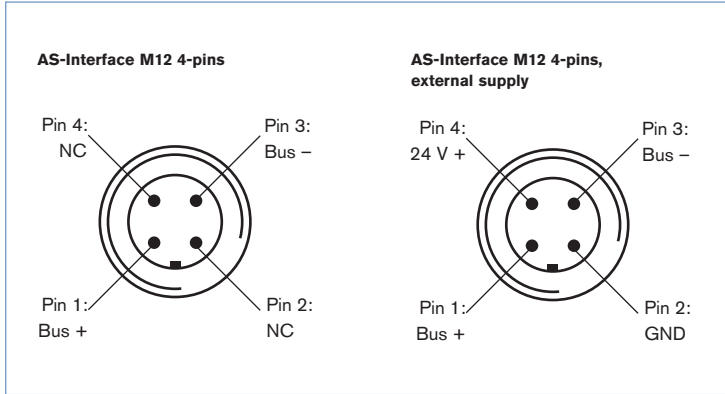
24 V DC  
Multipole connection M12, 8-pins



Pin	Description	Configuration
1	Limit switch 1	IN 1 / TOP
2	Limit switch 2	IN 2 / BOTTOM
3	Power supply	GND
4	Operating voltage +	24 V DC
5	Valve control +	Valve +
6	Valve control -	Valve -
7	n.a.	not assigned
8	n.a.	not assigned

**Connection options, continued**

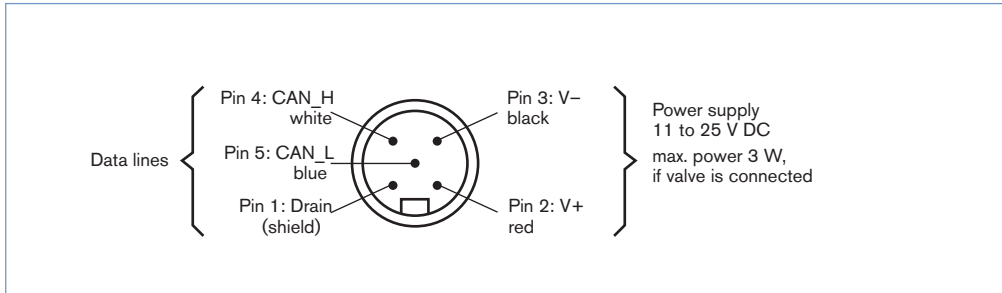
**With fieldbus communication AS-Interface**  
**Version with Multipole fitting connector**



**Version with flat cable clip**



**With fieldbus communication DeviceNet**



DTS 1000110599 EN Version: K Status: RL (released | freigegeben | valide) printed: 26.06.2014

To find your nearest Bürkert facility, click on the orange box → [www.burkert.com](http://www.burkert.com)